



CONSUMER HOT-LINE: 1-800-942-3343
Monday-Friday 7:30 AM to 5 PM CST
www.waterace.com

OWNER'S MANUAL

Pgs. 2-8

4" SUBMERSIBLE PUMPS, TWO AND THREE WIRE,
1/2 THRU 1-1/2 HP 60 HZ

NOTICE D'UTILISATION

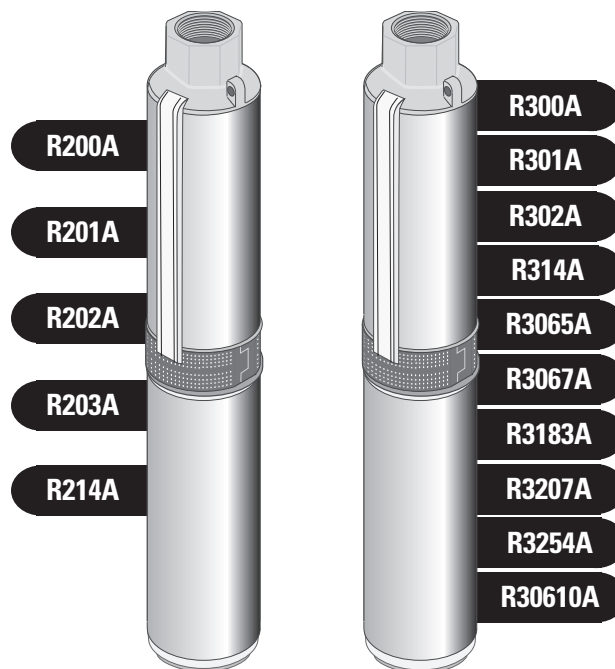
Pgs. 9-15

POMPE SUBMERSIBLE DE 4 PO À DEUX ET
TROIS FILS, DE 1/2 À 1-1/2 CV 60 HZ

MANUAL DEL USUARIO

Pgs. 16-22

BOMBA SUMERGIBLES DE 4" DE DOS Y
TRES ALAMBRES, DE 1/2 A 1-1/2 HP, 60 HZ



Carefully read and follow all safety instructions in this manual or on pump.

⚠ This is the safety alert symbol. When you see this symbol on your pump or in this manual, look for one of the following signal words and be alert to the potential for personal injury!

⚠ DANGER DANGER warns about hazards that will cause serious personal injury, death or major property damage if ignored.

⚠ WARNING WARNING warns about hazards that can cause serious personal injury, death or major property damage if ignored.

⚠ CAUTION CAUTION warns about hazards that will or can cause minor personal injury or property damage if ignored.

The word NOTICE indicates special instructions which are important but not related to hazards.

To avoid serious or fatal personal injury and possible property damage, carefully read and follow the safety instructions.

- ⚠ WARNING** Under certain conditions, submersible pumps can develop extremely high pressure. Install a pressure relief valve capable of passing entire pump flow at 75 PSI (517kPa) when using an air over water pressure tank. Install a pressure relief valve capable of passing entire pump flow at 100 PSI (690 kPa) when using a pre-charged pressure tank.

Hazardous pressure

⚠ Do not allow pump, pressure tank, piping, or any other system component containing water to freeze. Freezing may damage system, leading to injury or flooding. Allowing pump or system components to freeze will void warranty.

- ⚠ WARNING** Can shock, burn or cause death. To avoid dangerous or fatal electric shock hazard, use pump only in a water well.

Hazardous voltage

⚠ WARNING Risk of dangerous or fatal electrical shock. Do not install this pump in any pond, river, or other open body of water that could be used for swimming or recreation. Do not swim, wade or play in a body of water in which a submersible pump has been installed.

⚠ Install, ground and wire pump according to local and Canadian Electrical Code or National Electrical Code requirements that apply.

⚠ Disconnect electrical power supply before installing or servicing pump.

⚠ Make sure line voltage and frequency of power supply match motor nameplate voltage and frequency.

- Install pump according to all plumbing, pump and well code requirements.
- Test well water for purity before using well. Call your local health department for testing procedure.
- During installation, keep well covered to prevent leaves and foreign matter from falling into well. Foreign objects in well can contaminate water and cause serious mechanical damage to pump.
- Pipe joint compound can cause cracking in plastics. Use only teflon tape when sealing joints in plastic pipe or connecting pipe to thermoplastic pumps.

PRE-INSTALLATION

Inspect pump and motor for delivery damage. Report any damage immediately to shipping carrier or to your dealer.

Well driller should thoroughly develop well (pump out all fine sand and foreign matter) before pump is installed. (See Initial Startup).

Pump performance is based on pumping clear, cold water with no entrained air.

Warranty is void in the following conditions:

- Pump has pumped excessive sand which can cause premature wear to pump. (See Initial Startup)
- Water is corrosive.
- If entrained gas or air present in water being pumped, reduce flow and cause cavitation which can damage pump.
- Pump has been operated with discharge valve closed – severe internal damage will result.

Install pump at least 15 to 20' (4.6 - 6.1M) below the lowest water level reached with pump running (lowest draw-down water level), and at least 5' (1.5M) above bottom of well.

ELECTRICAL

⚠ WARNING WIRING/GROUNDING

Hazardous voltage

Can shock, burn, or cause death. Permanently ground pump, motor and control box before connecting power supply to motor.

Ground pump and motor in accordance with all codes and ordinances that apply. Use copper ground wire at least as large as wires carrying current to motor.

Motor is supplied with copper ground wire. Splice to copper conductor that matches motor wire size specified in Table 3. See "cable splicing" under Installation.

Permanently ground pump, motor and control box before connecting power cable to power supply. Connect ground wire to approved ground first, then connect to equipment being installed.

Do not ground to gas supply line.

⚠ WARNING Fire and electrical shock hazard. If using a power supply wire larger than No. 10 (5mm²) (for example, No. 8 (7mm²) wire) between pump and control box, run wire to separate junction box. Connect junction box to control box with a No. 10 (5mm²) wire.

For more information, contact your local code officials.

WIRING CONNECTIONS

All wiring must meet Canadian Electrical Code or National Electrical Code and local code requirements.

Use only copper wire for connections to pump and control box.

To avoid over-heating wire and excessive voltage drop at motor, be sure wire size is at least as large as size listed in Table 3 for your horsepower pump and length of wire run.

NOTICE: See Installation Wiring Diagrams for typical wiring hook-ups and control box identification.

Table 1: Recommended Fusing Data - 60 Hz, Single Phase, 3 Wire Submersible Pump Motors

HP	Volts	Service Factor Amps	Locked Rotor Amps	Fuse Size	
				Standard	Dual Elem
1/2	230	6.3	22.3	20	10
3/4	230	8.3	32.0	25	15
1	230	9.7	41.2	30	20
1-1/2	230	11.1	47.8	35	20

Table 2: Recommended Fusing Data - 60 Hz, Single Phase, 2 Wire Submersible Pump Motors

HP	Volts	Service Factor Amps	Locked Rotor Amps	Fuse Size	
				Standard	Dual Elem
1/2	115	9.5	36.4	30	20
1/2	230	4.7	19.5	15	10
3/4	230	6.4	24.8	20	15
1	230	9.1	21.7	25	15
1-1/2	230	11.0	42.0	35	20

TABLE 3: Copper Cable Length in Feet (Service to Motor)

R-Series Motors: 1 Ph, 3-Wire Cable, 60 Hz. Wire Size

3-Wire in Feet	HP	Volt	Wire Size, AWG										
			14	12	10	8	6	4	3	2	1	0	00
0.5	230	230	348	553	883	1398	2175	3467	4359	5505	6935	8753	11044
0.75	230	230	264	420	670	1061	1651	2632	3309	4178	5264	6644	8383
1	230	230	226	359	573	908	1413	2252	2831	3575	4504	5685	7173
1.5	230	230	197	314	501	793	1234	1968	2474	3124	3936	4968	6268

R-Series Motors: 1 Ph, 2-Wire Cable, 60 Hz. Wire Size

2-Wire in Feet	HP	Volt	Wire Size, AWG										
			14	12	10	8	6	4	3	2	1	0	00
0.5	115	115	115	183	293	463	721	1150	1445	1825	2299	2902	3662
0.5	230	230	466	742	1183	1874	2915	4648	5843	7379	9295	11733	14803
0.75	230	230	342	545	869	1376	2141	3413	4291	5419	6826	8617	10871
1	230	230	241	383	611	968	1506	2400	3018	3811	4801	6060	7646
1.5	230	230	199	317	505	801	1246	1986	2496	3153	3972	5013	6325

NOTE:

- Maximum wire lengths shown maintain motor voltage at 95% of service entrance voltage, running at maximum nameplate amperes. If service entrance voltage will be at least motor nameplate voltage under normal load conditions, 50% additional length is permissible for all sizes.
- Sizes given are for copper wire. For aluminum wire go two sizes larger (i.e., if table lists #12 (3mm²) copper wire, use #10 (5mm²) aluminum wire.)

INSTALLATION WIRING INSTRUCTIONS

Single Phase, 3 Wire



Hazardous voltage. Can shock, burn, or kill.

Ground control box, all metal plumbing, and motor frame with copper wire in compliance with Canadian Electrical Code or National Electrical Code and local codes. Use ground wire at least as large as the wires supplying power to motor.

At well head, connect ground wire to grounding terminal that meets Canadian Electrical Code or National Electrical Code requirements that apply. For more information, contact local code officials.

Permanently close all unused openings in this and other equipment.

Disconnect power before working on or around control box, pipes, cable, pump, or motor.

NOTICE: Install control box vertically on wall with top side up.

3-Wire pumps have three power supply wires (Red/Black/Yellow) and one ground wire (Green).

Attempting to operate 3 wire pump without a control box will burn out the motor.

Installations must include circuit and component protection in compliance with U.S. National Electrical Code or Canadian Electrical Code, Part 1.

If main overload trips, look for:

- Shorted Capacitor
- Voltage Problems
- Overload or locked pump.

NOTICE: Use only control box specified for your pump. Make sure motor and control box match (Table 4). FAILURE TO DO SO WILL VOID WARRANTY.

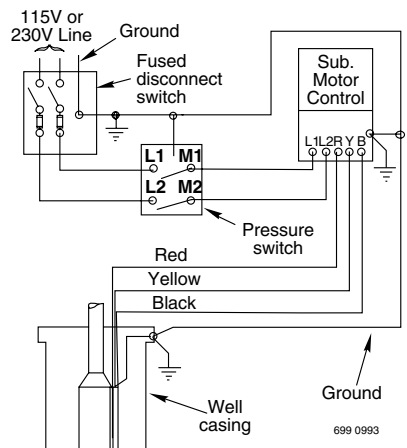
Table 4: Control Box Chart

HP	Voltage	Control Box No.
1/2	230	RF303
3/4	230	RF304
1	230	RF305
1-1/2	230	RF306



For motors of 1-1/2 HP and above, use magnetic starter to avoid damage to pressure switch. Consult factory for wiring information.

Fig. 1A – 3 wire - 1/2 thru 1 HP quick disconnect box.



Single Phase, 2 Wire

2-Wire pumps have two power supply wires (Red/Black) and one ground wire (Green). Control box **is not** required.

See Figure 1B for correct hook-up information for 230 Volt 2-Wire motors only.

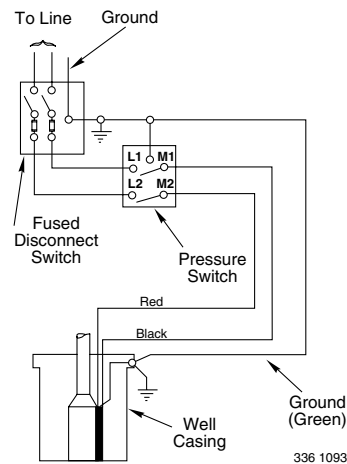


Fig. 1B – Single phase, 2 Wire Connections

Follow color coding when connecting control box. (Yellow to Y, Red to R, Black to B)

INSTALLATION

WIRE SPLICING

Splice wire to motor leads. Use only copper wire for connections to pump motor and control box.

1. Taped splice (Wire Sizes No. 8 (7mm²) and larger):

- Cut off motor leads. Stagger lead and wire length so that 2nd lead is 2" (50.8mm) longer than 1st lead and 3rd lead is 2" (50.8mm) longer than second.
- Cut off power supply wire ends. Match colors and lengths of wires to colors and lengths of motor leads.
- Trim insulation back 1/2" (12.7mm) from supply wire and motor lead ends.
- Insert motor lead ends and supply wire ends into butt connectors (see Fig. 2). Match wire colors between supply wires and motor leads.
- Using crimping pliers, indent butt connector lugs (see Fig. 3) to attach wires.
- Cut "Scotchfil" electrical insulation putty into 3 equal parts and form tightly around butt connectors. Be sure scotchfil overlaps insulated part of wire.
- Using #33 Scotch tape, wrap each joint tightly; cover wire for about 1-1/2" (38.1mm) on each side of joint. Make four passes with the tape. When finished you should have four layers of tape tightly wrapped around the wire. Press edges of tape firmly down against the wire (see Fig. 5).

NOTICE: Since tightly wound tape is the only means of keeping water out of splice, efficiency of splice will depend on care used in wrapping tape.

NOTICE: For wire sizes larger than No. 8 (7mm²), use soldered joint rather than Scotchfil putty (see Fig. 4).

2. Heat shrink splice (For wire sizes #14, 12 and 10 AWG (2, 3 and 5mm²):

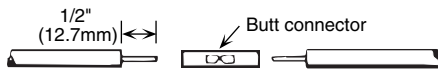


Figure 2



Figure 3



Figure 4



Figure 5

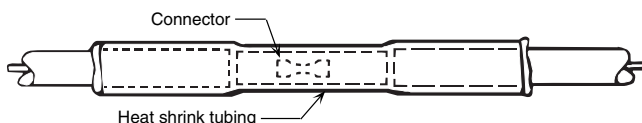


Figure 6

- Remove 3/8" (9.5mm) insulation from ends of motor leads and power supply wires.
- Put plastic heat shrink tubing over motor leads between power supply and motor.
- Match** wire colors and lengths between power supply and motor.
- Insert supply wire and lead ends into butt connector and crimp (See Figs. 2 and 3). **Match** wire colors between power supply and motor. Pull leads to check connections.
- Center tubing over butt connector and apply heat evenly with torch (match or lighter will not supply enough heat).
NOTICE: Keep torch moving. Too much concentrated heat may damage tubing (see Fig. 6).

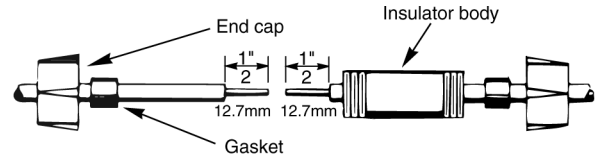


Figure 7 – Ready to splice

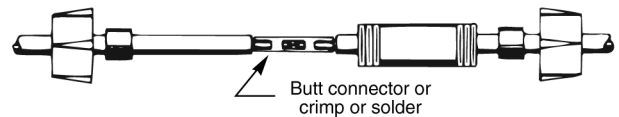


Figure 8 – Wire ends spliced

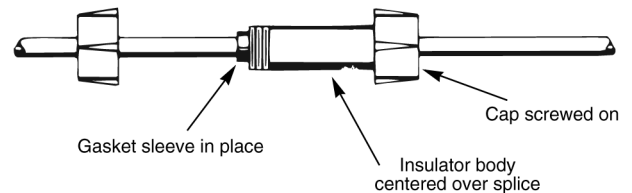


Figure 9 – Tighten end caps

3. Mechanical Splice Kit with plastic insulators (for 14, 12 and 10 Gauge AWG Wire (2, 3 and 5mm²):

- Cut off motor leads. Stagger lead and wire length so that 2nd lead is 4" (101.6mm) longer than 1st lead and 3rd lead is 4" (101.6mm) longer than second.
- Cut off wire ends. **Match** colors and lengths of wires between power supply and motor.
- Trim insulation back 1/2" (12.7mm) from power supply wire and motor lead ends.
- Unscrew plastic caps from insulators. Place a cap and neoprene gasket sleeve on each wire to be spliced (see Fig. 7).
- Slide insulator body onto one wire end (Fig. 7).
- Insert wire end into butt connector and crimp. **Match** wire colors between power supply and motor (see Fig. 8).
- Center insulator body over splice and slide gasket sleeves into body as far as they will go. Screw caps onto insulator body (Fig. 9) and tighten by hand for a strong, waterproof splice.

POWER SUPPLY WIRE INSTALLATION

- To test submersible, momentarily (no more than 30 seconds) connect it to proper power supply. Power supply frequency and voltage must match motor nameplate frequency and voltage to within ±10%.
- Fasten power supply wire leads securely to pump discharge section; leave 4-5" (100-125mm) of slack in leads at this point. Securely fasten leads to plastic pipe within 6" (150mm) of the pump discharge section. Use centering guides to protect wire and pipe from rubbing well casing.
- Connect copper ground wire to motor bracket. Ground wire must be as large as wires supplying current to motor. Consult current Canadian Electrical Code and local codes for grounding information.

- Use only submersible power supply wires supplied by pump manufacturer. When lowering pump into well, secure supply wires to discharge pipe at 10 ft. (3M) intervals with Scotch #33 electrical tape. **DO NOT** damage pump wires.

NOTICE: To avoid dropping pump down well or damaging wires or splices, **NEVER** allow pump wires to support weight of pump.

PUMP INSTALLATION

- If standard air over water pressure tank is used, install two bleeder orifices about 2 ft. (.6M) apart as shown in Fig. 12. Orifices will automatically charge the tank with air. See Fig. 12 to determine orifice location.

NOTICE: If Pre-charged tank is used, **DO NOT** install bleeder orifices. If pump and pre-charged tank are replacing a standard tank system, remove bleeder orifices before installing pump in well.

- To prevent losing pump down the well, connect safety rope strong enough to support pump and drop pipe (minimum 5/16" (8mm) twisted polypropylene or pronila rope) to eyelet on pump discharge. Tie off other end of safety rope securely to well seal, well cap or pitless adapter.
- Discharge outlet is 1-1/4" NPT threaded.

Use 100 PSI (689.5kPa) rated polyethylene plastic pipe for installations up to 100' (30.5M) depth.

Use 160 PSI (1103.2 kPa) rated polyethylene plastic for installations up to 220' (67.1M) depth.

For depths beyond 220' (67.1M) use galvanized steel pipe for the entire drop pipe.

INITIAL START-UP/NEW WELLS

NOTICE: **NEVER** operate pump with discharge valve completely closed. Pump can destroy itself if run with discharge shut off ("dead-headed") and warranty will be void.

NOTICE: To avoid sand-locking pump, follow procedure below when starting pump for the first time. **NEVER** start a pump with discharge completely open unless you have done this procedure first.

- Connect a pipe elbow, a short length of pipe and a gate valve to pump discharge at well head (see Fig. 10).
- Mount motor control box (3-wire pump) or fused disconnect switch (2-wire pump) in a permanently weatherproof place. Make sure that controls will not be subjected to extreme heat or excess moisture.
- Make sure controls are in OFF position.
- Connect motor leads and power supply to motor control box or magnetic starter (see Installation Wiring Diagrams). **DO NOT START PUMP YET.**
- Set gate valve on discharge 1/3 open; start pump (see Fig. 10).
- Keep gate valve at this setting while water pumps out on ground. Let run until water is clear of sand or silt. (To check solids in water, fill a glass from pump and let solids settle out).
- When water is completely clear at 1/3 setting, open gate valve to approximately two-thirds open and repeat process.
- When water is completely clear at 2/3 setting, open gate valve completely and run pump until water is completely clear.
- Remove gate valve for permanent installation near tank (see Figs. 11 and 12).
- Install sanitary well seal or pitless adapter unit, well unit, electrical conduit and surface piping. Installation must meet all code requirements that apply.

CONNECTING TO TANK/ WATER SYSTEM

WARNING Hazardous pressure. Submersible pumps can develop very high pressure in some situations. To prevent tank blowup, install a pressure relief valve able to pass full pump flow at 75 PSI (517.1kPa) when using an air over water pressure tank. Install a pressure relief valve capable of passing entire pump flow at 100 PSI (690 kPa) when using a pre-charged pressure tank. Install this relief valve between pump and tank.

CAUTION Pipe joint compound can cause cracking in plastics. Use only teflon tape on joints in plastic pipe.

NOTICE: Allowing pump or piping system to freeze may severely damage pump and will void warranty. Protect pump and entire piping system (including pressure tank) from freezing.

PRE-CHARGED PRESSURE TANK HOOKUP

See Fig. 11 for piping connections to pre-charged pressure tank.

NOTICE: Check air pre-charge in tank before starting pump. Adjust pre-charge to 2 PSI (13.8 kPa) below pump cut-in setting, (ie, a pre-charge tank used with a 30-50 switch should be pre-charged with air to 28 PSI (193.1 kPa). Adjust pre-charge by adding or bleeding air through tire valve located on top of tank. Check pre-charge annually and adjust as needed.

STANDARD TANK HOOKUP

See Fig. 12 for piping connections to standard pressure tank and for correct distance of bleeder orifices from pressure tank.

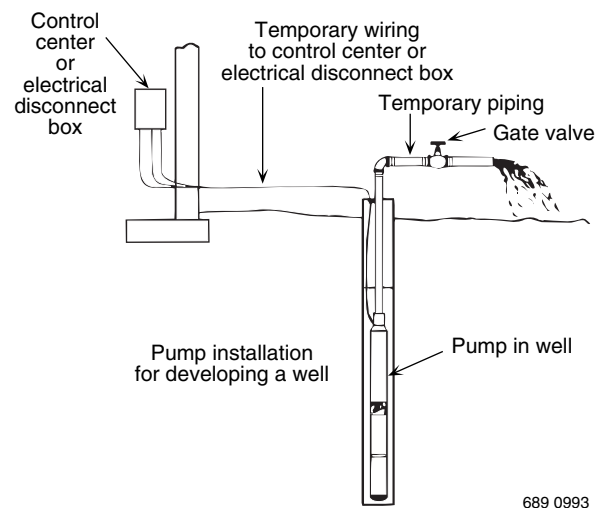


Figure 10 – Temporary Connections while cleaning well for start-up.

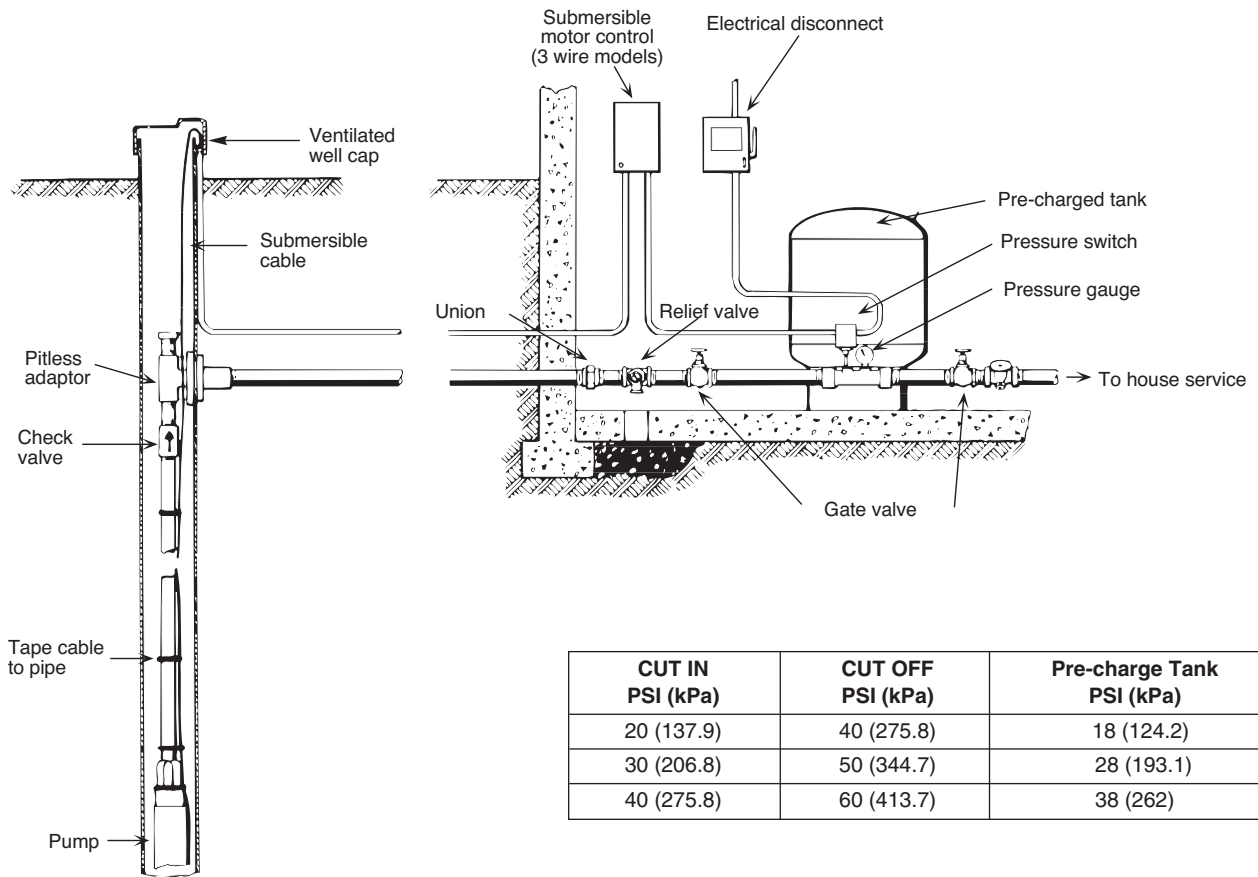
Important Electrical Grounding Information

WARNING Hazardous voltage. Can shock, burn, or kill. To reduce the risk of electrical shock during pump operation, ground and bond the pump and motor as follows:

- To reduce risk of electrical shock from metal parts of the assembly other than the pump, bond together all metal parts accessible at the well head (including metal discharge pipe, metal well casing, and the like). Use a metal bonding conductor at least as large as the power cable conductors running down the well to the pump's motor.
- Clamp or weld (or both if necessary) this bonding conductor to the grounding means provided with the pump, which will be the equipment-grounding terminal, the grounding conductor on the pump housing, or an equipment-grounding lead. The equipment-grounding lead, when provided, will be the conductor having green insulation; it may also have one or more yellow stripes.
- Ground the pump, motor, and any metallic conduit that carries power cable conductors. Ground these back to the service by connecting a copper conductor from the pump, motor, and conduit to the grounding screw provided within the supply-connection box wiring compartment. This conductor must be at least as large as the circuit conductors supplying the pump.

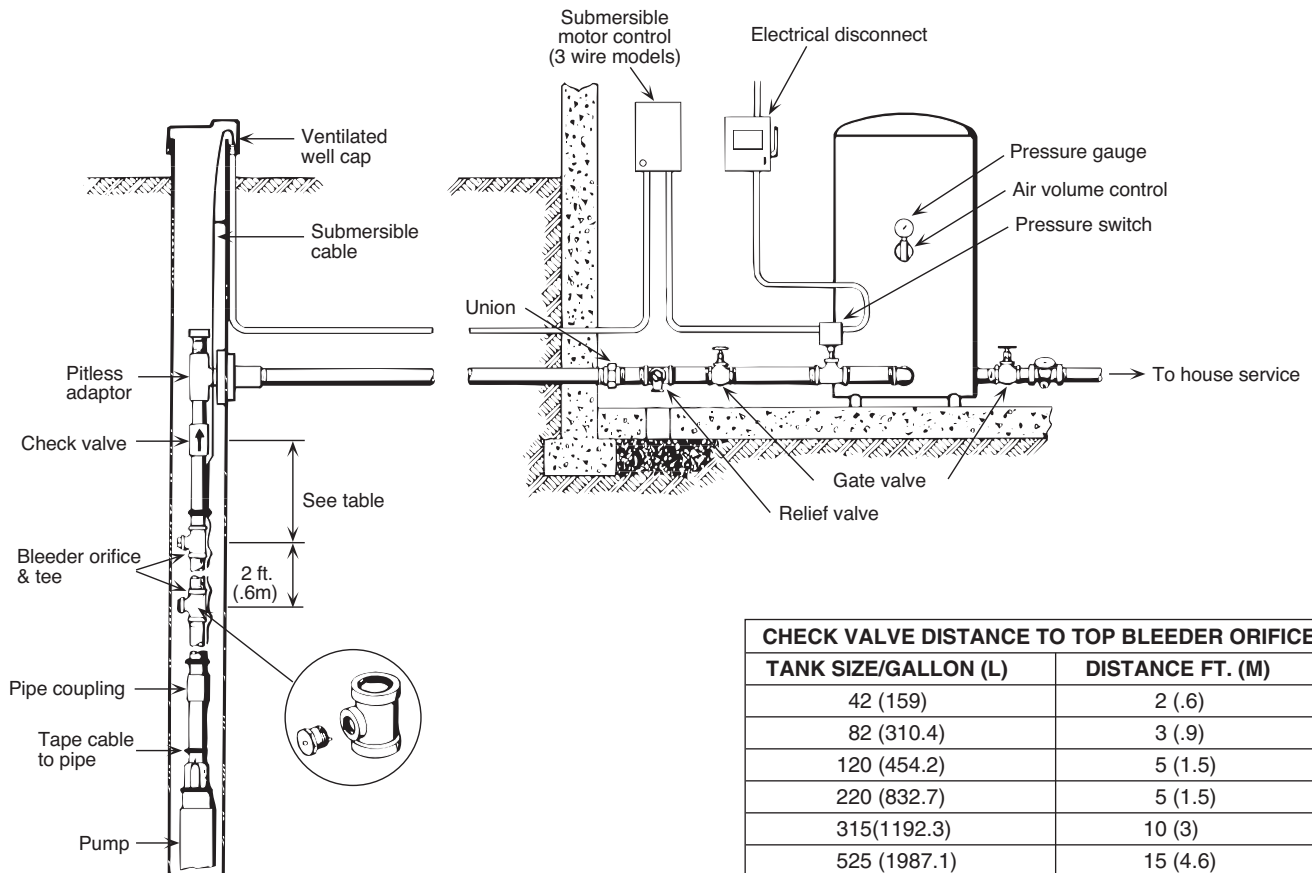
Save these instructions.

Figure 11 – Typical Pre-Charge Tank Installation



CUT IN PSI (kPa)	CUT OFF PSI (kPa)	Pre-charge Tank PSI (kPa)
20 (137.9)	40 (275.8)	18 (124.2)
30 (206.8)	50 (344.7)	28 (193.1)
40 (275.8)	60 (413.7)	38 (262)

Figure 12 – Typical Standard Tank Installation



CHECK VALVE DISTANCE TO TOP BLEEDER ORIFICE	
TANK SIZE/GALLON (L)	DISTANCE FT. (M)
42 (159)	2 (.6)
82 (310.4)	3 (.9)
120 (454.2)	5 (1.5)
220 (832.7)	5 (1.5)
315(1192.3)	10 (3)
525 (1987.1)	15 (4.6)

TROUBLESHOOTING GUIDE

PROBLEM	CHECK	CORRECTIVE ACTION
Motor will not start but fuses do not blow		
No voltage.	No voltage at control box or disconnect switch. No voltage at pressure switch. No voltage at control box. Cable or splices bad. Control box incorrectly wired.	Replace blown fuses. Replace faulty pressure switch. Rewire supply to control box. Consult licensed electrician or serviceman. Reconnect control box correctly (see Wiring Installation Diagrams).
Fuses blow or overload protector trips when motor starts		
Wrong size fuse or wrong size time delay fuse.	Check fuse size against chart, Page 2.	Install correct fuse or time delay fuse.
Wire size too small.	Check wire size against chart, Page 3.	Install correct size wire.
Starting capacitor defective, blown, or wrong size.	Check control box to see if starting capacitor has blown out. Check capacitor rating. Check start relay.	Replace starting capacitor. Replace start relay if defective.
Low or high voltage.	Check that line voltage is within $\pm 10\%$ of nameplate rated voltage while motor is running.	If voltage variation is greater than $\pm 10\%$, call power company or local hydro authority to adjust voltage.
Power supply wire leads not correctly connected to control box.	Check control box wiring diagram against incoming power hookup. Check power supply wire color coding.	Reconnect leads to match wiring diagram in control box cover. Reconnect power supply wires so wire color code matches motor lead color code.
Broken wire in control box.	Examine all connections and wiring in control box.	Disconnect power and repair or replace faulty wire.
Pump or motor stuck or binding.	Check for locked shaft in pump.	If necessary, pull pump (make all possible above ground checks first). If pump is locked, replace it. Clean well of all sand or lime before reinstalling pump.
Power supply wire splices or motor leads grounded, shorted, or open.	Consult licensed electrician or qualified serviceman.	Do not attempt to disassemble pump or motor.
Fuses blow or overload protector trips when motor is running		
Low or high voltage.	Check that line voltage is within $\pm 10\%$ of rated nameplate voltage while motor is running.	If voltage variation is more than $\pm 10\%$, call power company to adjust voltage.
High ambient (atmospheric) temperature.	Check temperature of control box.	Do not mount control box in direct sunlight.
Control box with wrong voltage or horsepower rating.	Compare voltage and horsepower on motor nameplate with those given on control box nameplate or on circuit diagram inside control box cover.	Replace control box if numbers do not match. Use only control box designed for use with pump.
Wire size too small.	Check wire size against chart, Page 3.	Install correct wire size.
Pump starts too frequently		
Leaks in system.	Check all tank connections with soapsuds for air leaks. Check plumbing for leaks.	System must be air and water tight.
Pressure switch.	Check for defective switch or switch out of adjustment.	Re-adjust or replace pressure switch.
Check valves leaking.	Make sure check valves are not leaking back.	Replace check valves if necessary.
Tank waterlogged.	Pre-charged tanks: check tank pre-charge air pressure, check for leak in bladder. Air over water tanks: check for air leaks Check Air Volume Control (AVC).	Pre-charge tanks: adjust air pressure to 2 PSI (13.8 kPa) less than pump cut-in pressure (when there is no water pressure on system). Replace bladder if necessary. Air over water tanks: repair or replace tanks, replace AVC if necessary.
Leak in drop pipe.	Raise drop pipe one length at a time until water stands in pipe.	Replace pipe above that point.
Pressure switch too far from tank.	Measure distance from pressure switch to tank.	Move switch to within 1' (.3M) of tank.
Little or no water delivered		
Check valve stuck or installed backwards (standard tank only).	Examine valve.	If stuck, free valve; if installed backwards, reverse it.
Low water level.	Determine lowest water level in well while pump is running and compare to pump depth setting.	Lower pump further into well (but at least 5' (1.5M) above bottom of well). Throttle pump discharge until discharge equals recovery rate of well. NOTICE: Running pump while airlocked can cause loss of prime and seriously damage pump.
Low voltage.	Check voltage at control box with pump running. Check incoming wire size and power supply wire size against chart, Page 3.	Install larger wire from meter to control box. Install larger wire from control box to pump. If necessary, have power company raise supply voltage.
Plugged intake screen.	Pull pump and check condition of screen.	Clean or replace as necessary.
Check valve at pump discharge stuck.	Pull pump and examine check valve.	Free check valve.
Worn impellers and diffusers.	Make sure system is clear of obstructions and pump is in solid water and operating normally.	Replace pump.
Air or milky water discharge from faucets		
Gas in well water.	Check for presence of gas in well water.	Remove bleeder orifices; plug tees. Be sure plugged tees do not leak. If necessary, separate gas from air before it enters pressure tank.
Air volume control not working (standard tanks only).	Make sure ports and ball check valves are clear.	Replace control if necessary.

RETAIN ORIGINAL RECEIPT FOR YOUR RECORDS.

LIMITED WARRANTY

WATER ACE warrants to the original consumer purchaser ("Purchaser" or "You") of its products that they are free from defects in material and workmanship for a period of twelve (12) months from the date of the original consumer purchase.

If, within twelve (12) months from the original consumer purchase, any such product shall prove to be defective, it shall be repaired or replaced at WATER ACE's option, subject to the terms and conditions set forth below. The original purchase receipt and product warranty information label are required to determine warranty eligibility. Eligibility is based on purchase date of original product – not the date of replacement under warranty. The warranty is limited to repair or replacement of product only – Purchaser pays all removal, installation, labor, shipping, and incidental charges.

For parts or troubleshooting assistance, DO NOT return product to your retail store. Contact WATER ACE Customer Service at 1-800-942-3343.

Claims made under this warranty shall be made by returning the product (except sewage pumps, see below) to the retail outlet where it was purchased immediately after the discovery of any alleged defect. WATER ACE will subsequently take corrective action as promptly as reasonably possible. No requests for service will be accepted if received more than 30 days after the warranty expires.

SEWAGE PUMPS

DO NOT return a sewage pump (that has been installed) to your retail store. Contact WATER ACE Customer Service. Sewage pumps that have seen service and been removed carry a contamination hazard with them.

If your sewage pump has failed:

- Wear rubber gloves when handling the pump;
- For warranty purposes, return the pump's cord tag and original receipt of purchase to the retail store;
- Dispose of the pump according to local disposal ordinances.

Exceptions to the Twelve (12) Month Limited Warranty

Product	Warranty Period
R106, R107 Non-Submersible Utility	90 days
RES Submersible Utility R33SP Submersible Sump Pump	2 Years
R50SP Submersible Sump Pump R3S Submersible Sump Pump	3 Years
R5V Submersible Sump Pump, Pre-Charge Water System Tank	5 Years
R50VLT, R75VLT Sump/Effluent Pumps R5PILT Pedestal Sump Pump R7W Submersible Sewage Pump	Lifetime

General Terms and Conditions

You must pay all labor and shipping charges necessary to replace product covered by this warranty. This warranty does not apply to the following: (1) acts of God; (2) products which, in WATER ACE's sole judgement, have been subject to negligence, abuse, accident, misapplication, tampering, or alteration; (3) failures due to improper installation, operation, maintenance or storage; (4) atypical or unapproved application, use or service; (5) failures caused by corrosion, rust or other foreign materials in the system, or operation at pressures in excess of recommended maximums.

This warranty sets forth WATER ACE's sole obligation and purchaser's exclusive remedy for defective products.

WATER ACE SHALL NOT BE LIABLE FOR ANY CONSEQUENTIAL, INCIDENTAL, OR CONTINGENT DAMAGES WHATSOEVER.

THE FOREGOING WARRANTIES ARE EXCLUSIVE AND IN LIEU OF ALL OTHER EXPRESS AND IMPLIED WARRANTIES, INCLUDING BUT NOT LIMITED TO THE IMPLIED WARRANTIES OF MERCHANTABILITY AND FITNESS FOR A PARTICULAR PURPOSE. THE FOREGOING WARRANTIES SHALL NOT EXTEND BEYOND THE DURATION PROVIDED HEREIN.

Some states do not allow the exclusion or limitation of incidental or consequential damages or limitations on how long an implied warranty lasts, so the above limitations or exclusions may not apply to You. This warranty gives You specific legal rights and You may also have other rights which vary from state to state.

WATER ACE PUMP CO. • 293 Wright St. • Delavan, WI U.S.A. 53115
Phone: 1-800-942-3343 (U.S.A. only)
Web Site: <http://www.waterace.com>

Lire et respecter soigneusement toutes les instructions données dans le manuel ou indiquées sur la pompe.

! C'est le signal d'alerte à la sécurité. Lorsque ce symbole apparaît sur la pompe ou dans le manuel, chercher un des signaux de mise en garde suivants. Attention aux risques de blessures corporelles !

⚠ DANGER Le symbole **DANGER** signale les dangers qui provoqueront des blessures corporelles graves, la mort ou des dommages matériels importants, s'il n'est pas respecté.

⚠ AVERTISSEMENT Le symbole **AVERTISSEMENT** signale les dangers qui peuvent provoquer des blessures corporelles graves, la mort ou des dommages matériels importants, s'il n'est pas respecté.

⚠ ATTENTION Le symbole **ATTENTION** signale les dangers qui provoqueront ou peuvent provoquer des blessures corporelles mineures ou des dommages matériels, s'il n'est pas respecté.

Le terme **REMARQUE** indique des instructions spécifiques qui sont importantes mais ne sont liées à aucun danger.

Pour prévenir les risques de blessure corporelle grave ou fatale et de dommages matériels, lire et respecter soigneusement les consignes de sécurité.

1. **⚠ AVERTISSEMENT** Dans certaines circonstances, les pompes submersibles peuvent développer des pressions extrêmement élevées. Poser une soupape de décharge pouvant laisser passer tout le débit de la pompe à une pression de 75 lb/po² (517 kPa)

⚠ AVERTISSEMENT
Préssion dangereuse

lorsqu'on utilise un réservoir sous pression. Poser une soupape de décharge pouvant laisser passer tout le débit de la pompe à 100 lb/po² (690 kPa) lorsqu'on utilise un réservoir préchargé.

! Ne pas soumettre au gel la pompe, le réservoir de la pompe, la tuyauterie ou tout autre élément du circuit contenant de l'eau. Le gel risque d'endommager le circuit, ce qui peut entraîner des blessures ou un débordement. La garantie sera annulée si la pompe ou les éléments du circuit ont été exposés au gel.

2. **⚠ AVERTISSEMENT** Risques d'électrocution, de brûlures ou d'accident mortel. Pour prévenir les risques dangereux ou mortels d'électrocution, la pompe doit être uniquement utilisée dans un puits d'eau.

⚠ AVERTISSEMENT
Tension dangereuse

⚠ AVERTISSEMENT Risque d'électrocution dangereuse, voire mortelle. Ne pas installer cette pompe dans un étang, une rivière ni dans une masse d'eau à l'air libre dans lesquels des personnes pourraient nager ou s'amuser. Ne pas nager, patauger ni jouer dans une masse d'eau à l'air libre dans laquelle une pompe submersible est installée.

! Procéder à l'installation, à la mise à la terre et au câblage de la pompe conformément aux normes applicables des codes électriques canadiens et des réglementations locales.

! Couper l'alimentation du courant électrique avant d'effectuer l'installation ou d'intervenir sur la pompe.

! S'assurer que la tension et la fréquence d'alimentation correspondent aux valeurs indiquées sur la plaque signalétique du moteur.

3. Installer la pompe conformément aux caractéristiques des codes qui s'appliquent à la canalisation, à la pompe et au puits.

4. Contrôler la pureté de l'eau du puits avant son utilisation. Contacter le service d'hygiène local pour obtenir des détails sur la procédure de contrôle.

5. Pendant l'installation, recouvrir la surface du puits pour le protéger de la chute de corps étrangers et de feuilles. La présence de corps étrangers dans le puits peut contaminer l'eau et endommager sérieusement le mécanisme de la pompe.

6. La pâte à joint sur les tuyaux peut fissurer le plastique. Utiliser uniquement de la bande téflon pour assurer l'étanchéité des raccords de la tuyauterie en plastique ou pour connecter la tuyauterie à des pompes thermoplastiques.

PRÉPARATION À L'INSTALLATION

S'assurer que la pompe et le moteur n'ont subi aucun dommage pendant la livraison. Signaler immédiatement tout dommage au transporteur ou au distributeur.

L'aménagement du puits doit être entièrement terminé avant de procéder à l'installation de la pompe (extraire par pompage toutes les particules de sable fin et les impuretés). (Voir Démarrage initial.)

Le rendement de la pompe est évalué en fonction d'un pompage d'eau claire et froide, sans entraînement d'air.

La garantie est annulée dans les circonstances suivantes :

- La pompe a extrait une quantité excessive de sable, ce qui peut provoquer l'usure prématurée de la pompe. (Voir Démarrage initial)
- L'eau est corrosive.
- Si un entraînement d'eau ou de gaz dans l'eau du pompage réduit la capacité du débit et provoque un phénomène de cavitation, ce qui peut endommager la pompe.
- La pompe a fonctionné avec le clapet de refoulement en position fermée. Ceci cause de sérieux dégâts internes.

Installer la pompe entre 4,6 et 6,1 m (15 et 20 pi) au moins au-dessous du niveau d'eau le plus bas atteint avec la pompe en fonctionnement (niveau de tirage-fond le plus bas), et au moins à 1,5 m (5 pi) au-dessus du fond du puits.

ÉLECTRICITÉ

CÂBLAGE/MISE À LA TERRE

⚠ AVERTISSEMENT Risques d'électrocution, de brûlures ou d'accident mortel. Il faut mettre la pompe, le moteur et la boîte de commande à la terre permanente, avant de brancher le courant à l'alimentation du moteur.

Mettre la pompe et le moteur à la terre conformément aux codes et réglementations qui s'appliquent. Utiliser du fil de masse en cuivre dont le calibre est au moins aussi épais que les fils alimentant le moteur en courant.

Le moteur est livré avec du fil de terre en cuivre. Raccorder par épissure un conducteur en cuivre, qui est du calibre du fil du moteur spécifié dans le tableau 3. Voir «Raccordement des fils» dans la partie Installation.

Mettre la pompe, le moteur et la boîte de commande à la terre permanente, avant de brancher le câble d'alimentation. Connecter le fil de masse d'abord à la prise de terre homologuée, puis à l'équipement en train d'être installé.

Ne pas mettre à la terre la ligne d'alimentation du gaz.

⚠ AVERTISSEMENT Danger d'électrocution et d'incendie. Si on utilise entre la pompe et la boîte de commande un fil d'alimentation plus épais que du fil n° 10 (5 mm²), par exemple un fil de type n° 8 (7 mm²), il faut le câbler vers un boîtier de raccordement séparé. Assurer la connexion entre le boîtier de raccordement et la boîte de commande en utilisant du fil de type n° 10 (5 mm²). Pour plus de renseignements sur les codes électriques, adressez-vous aux agences officielles locales.

CONNEXIONS ÉLECTRIQUES

L'ensemble du câblage doit satisfaire les codes électriques canadiens, ainsi que les réglementations locales.

Utiliser uniquement du fil de cuivre pour établir les connexions à la pompe et à la boîte de commande.

Pour éviter la surchauffe du fil ainsi qu'une chute de tension excessive au niveau du moteur, vous devez vous assurer que le calibre du fil électrique est au moins aussi épais que celui indiqué au tableau 3 pour la puissance nominale de votre pompe et la longueur de fil installée.

REMARQUE : Voir Schémas de câblage de l'installation pour identifier les branchements types et la boîte de commande.

Tableau 1 : Normes recommandées pour fusibles – 60 Hz, monophasé, moteurs de pompe submersible à 3 fils

CV	Volts	Ampères du facteur de service	Ampères du rotor bloqué	Type de fusible	
				Standard	Bicomposants
1/2	230	6.3	22.3	20	10
3/4	230	8.3	32.0	25	15
1	230	9.7	41.2	30	20
1-1/2	230	11.1	47.8	35	20

Tableau 2 : Normes de fusibles recommandées – 60 Hz, monophasé, moteurs de pompe submersible à 2 fils

CV	Volts	Ampères du facteur de service	Ampères du rotor bloqué	Type de fusible	
				Standard	Bicomposants
1/2	115	9.5	36.4	30	20
1/2	230	4.7	19.5	15	10
3/4	230	6.4	24.8	20	15
1	230	9.1	21.7	25	15
1-1/2	230	11.0	42.0	35	20

TABLEAU 3 : Longueur des fils de cuivre, en mètres (branchement de service vers moteur)

Moteurs de la série R : monophasé, trifilaire, 60 Hz, calibre du fil

Trifilaire, en mètres	HP	Volt	Calibre du fil, AWG									
			14	12	10	8	6	4	3	2	1	0
0.5	230	106	169	269	426	663	1057	1329	1678	2114	2668	3366
0.75	230	80	128	204	323	503	802	1008	1274	1604	2025	2555
1	230	69	110	175	277	431	686	863	1090	1373	1733	2186
1.5	230	60	96	153	242	376	600	754	952	1200	1514	1910

Moteurs de la série R : monophasé, bifilaire, 60 Hz, calibre du fil

Bifilaire, en mètres	HP	Volt	Calibre du fil, AWG									
			14	12	10	8	6	4	3	2	1	0
0.5	115	27	42	67	107	166	264	332	419	528	667	842
0.5	230	106	169	269	426	663	1057	1329	1678	2114	2668	3366
0.75	230	80	128	204	323	503	802	1008	1274	1604	2025	2555
1	230	69	110	175	277	431	686	863	1090	1373	1733	2186
1.5	230	60	96	153	242	376	600	754	952	1200	1514	1910

REMARQUE:

1. Les longueurs maximum de câblage assurent une tension moteur représentant 95 % de la tension de service admise, en fonctionnement maximum, selon le nombre d'ampères indiqué sur la plaque du moteur. Si la tension de service admise est au moins égale à la tension indiquée sur la plaque, en conditions de charge normales, la longueur de câblage peut être prolongée de 50 % sur tous les calibres de fils.
2. Les calibres sont indiqués pour du fil de cuivre. Dans le cas de fils en aluminium, utiliser un calibre deux fois supérieur (par ex. si le tableau indique un fil de cuivre de type n° 12 (3 mm²), utiliser un fil aluminium n° 10 (5 mm²)).

CÂBLAGE DE L'INSTALLATION
Ensemble monophasé à 3 fils

⚠ AVERTISSEMENT Tension dangereuse. Risques d'électrocution, de brûlures ou de mort.

Mettre à la terre avec du fil de cuivre la boîte de commande, toute la tuyauterie métallique et le châssis moteur, conformément aux codes électriques canadiens, ainsi qu'aux réglementations locales. Utiliser du fil de masse d'un calibre au moins égal ou supérieur au câblage alimentant le moteur en électricité.

Connecter le fil de masse, au niveau de la tête du puits, à une borne de masse qui satisfasse aux normes applicables des codes électriques canadiens. Pour plus de renseignements sur les codes électriques et de sécurité, s'adresser aux agences officielles locales.

Fermer définitivement toutes les ouvertures non utilisées sur l'ensemble de l'équipement.

Couper le courant avant d'intervenir sur la boîte de commande, la tuyauterie, le câblage, la pompe ou le moteur.

REMARQUE : Monter la boîte de commande à la verticale sur un mur, la partie supérieure orientée vers le haut.

Les pompes à 3 conducteurs comportent trois conducteurs d'alimentation en courant (rouge/noir/jaune) et un conducteur de terre (vert). Une boîte de commande **est** requise.

Les pompes à trois fils ne peuvent pas fonctionner sans boîte de commande sous risque de griller le moteur.

Chaque installation doit incorporer un dispositif de protection du circuit et des composants en conformité au Code National de l'électricité du Canada, Section 1.

Si le disjoncteur du circuit primaire se déclenche en surcharge, la cause en est :

1. Court-circuit d'un condensateur
2. Problèmes de tension
3. Pompe en surcharge ou bloquée.

REMARQUE : N'utiliser que la boîte de commande conçue spécialement pour cette pompe. S'assurer que son modèle est adapté au type du moteur (Tableau 4). LE NON-RESPECT DE CETTE CLAUSE ANNULE LES TERMES DE LA GARANTIE.

Tableau 4 : Table des boîtes de commande

CV	Tension	N° Boîte de commande
1/2	230	RF303
3/4	230	RF304
1	230	RF305
1-1/2	230	RF306

⚠ AVERTISSEMENT Pour les moteurs d'une puissance supérieure ou égale à 1-1/2 CV, utiliser un démarreur magnétique pour éviter d'endommager l'interrupteur de pression. Contacter le constructeur pour des renseignements concernant le câblage.

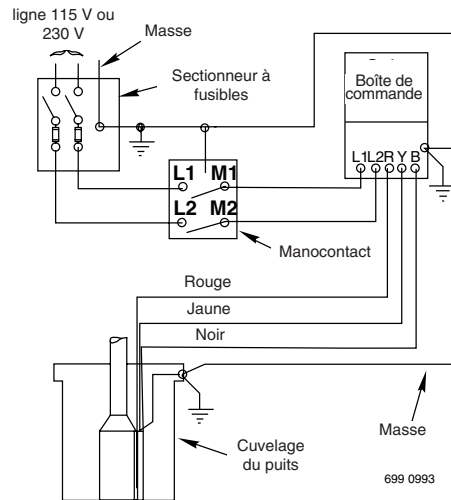


Fig. 1A – Boîtier de débranchement rapide, monophasé, à 3 fils – de 1/2 à 1 CV.

Ensemble monophasé à 2 fils

Les pompes à 2 conducteurs comportent deux conducteurs d'alimentation en courant (rouge/noir) et un conducteur de terre (vert). Une boîte de commande **n'est pas** requise.

Voir la Figure 1B concernant les informations du bon branchement des moteurs de 230 volts à **2 conducteurs** seulement.

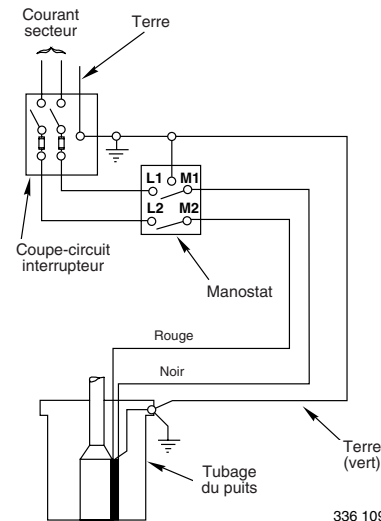


Fig. 1B – Moteur monophasé, connexions à 2 conducteurs

Respecter le codage par couleur pour le branchement de la boîte de commande (Le jaune avec Y, le rouge avec R, le noir avec B).

INSTALLATION

RACCORDEMENT DES FILS

Épisser les fils électriques aux conducteurs du moteur. Utiliser uniquement du fil de cuivre pour effectuer les connexions au moteur de la pompe et à la boîte de commande.

1. Raccordement guipé (calibres de fil n° 8 (7 mm²) et plus épais) :

- Sectionner les fils conducteurs du moteur. Échelonner la longueur des fils et des conducteurs de la façon suivante : le 2^e conducteur doit être plus long de 50,8 mm (2 po) que le 1^{er} conducteur, et le 3^e conducteur de 50,8 mm (2 po) que le deuxième.
- Sectionner les extrémités des fils d'alimentation électrique. Appairer les couleurs et les longueurs des fils d'alimentation avec celles des conducteurs du moteur.
- Tailler la protection isolante en dénudant le fil de 12,7 mm (1/2 po) à partir des extrémités, sur les conducteurs du moteur et les fils d'alimentation.
- Introduire les extrémités des conducteurs du moteur et des fils électriques dans les connecteurs bout à bout (voir Fig. 2). Appairer les couleurs des fils d'alimentation et des conducteurs.
- À l'aide de pinces de sertissage, échancrez les cosses des connecteurs bout à bout (voir Fig. 3) pour attacher les fils.
- Couper un segment de pâte d'isolant électrique de type "Scotchfil" en trois parties égales et mouler le diamètre des connecteurs bout à bout. Vérifier que la pâte Scotchfil recouvre bien la partie isolante du fil.
- À l'aide de ruban Scotch n° 33, enrober avec soin chacun des raccords ; le ruban doit couvrir une longueur de fil d'environ 38,1 mm (1-1/2 po) de chaque côté du raccord. Passer quatre fois le ruban autour du fil. Une fois l'opération terminée, quatre couches de ruban adhésif doivent enserrer le fil. Presser fermement les bords externes du ruban contre le fil (voir Fig. 5).

REMARQUE : Le seul moyen d'éviter le contact de l'eau avec les épissures est d'enserrer le câblage de ruban adhésif ; l'efficacité de l'épissure dépend donc du soin avec lequel le ruban a été enroulé.

REMARQUE : Pour les fils de calibre supérieur au n° 8 (7 mm²), utiliser des raccords par soudure plutôt que de la pâte isolante Scotchfil (voir Fig. 4).

2. Raccordement thermorétractable (pour les calibres de fils AWG n° 14, 12 et 10 (2, 3 et 5 mm²)):



Figure 2



Figure 3

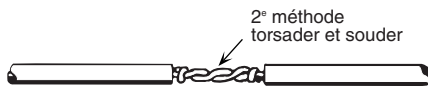


Figure 4



Figure 5

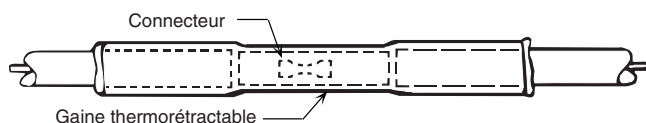


Figure 6

- Enlever une longueur de 9,5 mm (3/8 po) de protection isolante sur les extrémités des conducteurs du moteur et des fils d'alimentation.
- Placer la gaine thermorétractable en plastique autour des fils conducteurs du moteur, entre la source d'alimentation et le moteur.
- Appairer** les couleurs et les longueurs de fils de la source d'alimentation et du moteur.
- Introduire les extrémités des fils d'alimentation et des conducteurs dans le connecteur bout à bout et effectuer le sertissage (voir Fig. 2 et 3). **Appairer** les couleurs des fils de la source d'alimentation et du moteur. Tirer les fils conducteurs afin de contrôler les connexions.
- Centrer la gaine sur le connecteur bout à bout et répartir la chaleur uniformément au moyen d'un chalumeau (des allumettes ou un briquet ne fournissent pas assez de chaleur).

REMARQUE : Déplacer constamment la flamme du chalumeau. Une concentration excessive de la flamme risque d'endommager le gainage (voir Fig. 6).

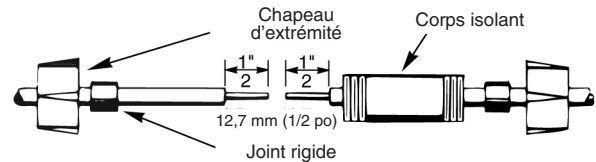


Figure 7 – Fils prêts à raccorder

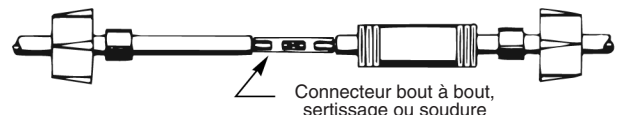


Figure 8 – Extrémités des fils raccordés

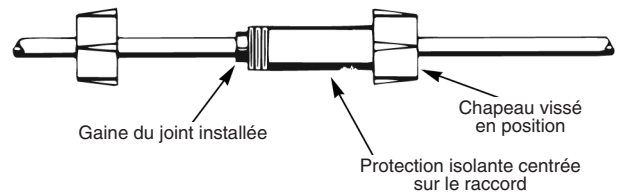


Figure 9 - Serrage des chapeaux d'extrémité

- Kit de raccordement mécanique** avec isolants en plastique (pour types de fils AWG de calibre 14, 12 et 10 (2, 3 et 5 mm²)) :
 - Sectionner les fils conducteurs du moteur. Échelonner la longueur des conducteurs et des fils électriques de la façon suivante : le 2^e conducteur doit être plus long de 101,6 mm (4 po) que le 1^{er} conducteur, et le 3^e conducteur de 101,6 mm (4 po) que le deuxième.
 - Sectionner les extrémités des fils électriques. **Appairer** les couleurs et les longueurs de fils de la source d'alimentation et du moteur.
 - Dénuder la protection isolante de 12,7 mm (1/2 po) à partir des extrémités des conducteurs du moteur et des fils d'alimentation.
 - Dévisser les chapeaux en plastique des isolants. Placer un chapeau et une gaine néoprène sur chaque fil à raccorder (voir Fig. 7).
 - Faire glisser l'extrémité d'un fil dans la protection isolante (Fig. 7).
 - Introduire l'extrémité du fil dans un connecteur bout à bout et sertir. **Appairer** les couleurs des fils de la source d'alimentation et du moteur (voir Fig. 8).
 - Centrer la protection isolante autour du raccord et introduire les gaines des joints dans l'isolant en les faisant glisser le plus loin possible. Visser les chapeaux sur la protection isolante (Fig. 9) et serrer à la main pour que l'épissure soit bien imperméable et solide.

CONNEXION DU CÂBLAGE D'ALIMENTATION ÉLECTRIQUE

- Pour contrôler le fonctionnement de la pompe submersible, la brancher momentanément (pas plus de 30 secondes) sur une source d'alimentation qui convient. La fréquence et la tension de l'alimentation électrique doivent correspondre dans une plage de ± 10 % aux valeurs reportées sur la plaque du moteur.
- Fixer solidement les fils conducteurs de l'alimentation au dispositif de refoulement de la pompe ; à ce stade de l'opération, donner de 100 à 125 mm (de 4 à 5 po) de mou aux conducteurs. Fixer solidement les conducteurs au tuyau en plastique, à moins de 150 mm (6 po) du dispositif de refoulement de la pompe. Utiliser des guides de centrage pour éviter que les fils et les tuyaux ne soient endommagés en frottant contre la paroi du puits.

3. Connecter un fil de masse en cuivre au support du moteur. Le calibre du fil de masse doit être au moins aussi épais que les fils électriques alimentant le moteur en courant. Consulter les réglementations du Code National de l'électricité du Canada et les normes locales en vigueur pour plus de détails.
4. Utiliser uniquement des fils électriques d'alimentation submersible livrés par le constructeur de la pompe. Lorsque la pompe est abaissée dans le puits, fixer les fils électriques au tuyau de refoulement en utilisant tous les 3 m (10 pi) du ruban isolant Scotch n° 33. NE PAS endommager les fils de la pompe.

REMARQUE : Pour éviter de faire tomber accidentellement la pompe au fond du puits, ou d'endommager les fils ou les raccords, **NE JAMAIS** laisser les fils électriques supporter le poids de la pompe.

INSTALLATION DE LA POMPE

1. Si l'on utilise un réservoir sous pression, poser deux orifices de purgeur à environ 2 pieds (0,60 mètre) l'un de l'autre, comme il est illustré à la Figure 12. Ces orifices chargeront automatiquement le réservoir d'air. Se reporter à la Figure 12 pour déterminer l'emplacement de l'orifice.
REMARQUE : Si un réservoir à pression préchargée (type souple) est utilisé, NE PAS aménager de prise de purge. Lorsqu'une pompe et un réservoir à pression préchargée doivent remplacer un système de réservoir standard, éliminer les prises de purge avant d'installer la pompe dans le puits.
2. Pour éviter de perdre accidentellement la pompe au fond du puits, faire passer un câble de sûreté suffisamment solide pour supporter le poids de la pompe et du tuyau de descente (corde pronila ou en polypropylène torsadé de 8 mm (5/16 po) minimum) dans l'œillet placé sur le dispositif de refoulement de la pompe. Nouer solidement l'autre extrémité du câble de sûreté au plombage du puits, à son couvercle ou à l'adaptateur sans cavité.
3. L'indice du filet du refoulement est de 32 mm (1-1/4 po NPT). Utiliser un tuyau en plastique polyéthylène calibré pour une pression de 689,5 kPa (100 PSI), pour les ensembles installés à un niveau de profondeur pouvant atteindre 30,5 m (100 pi). Utiliser un tuyau en plastique polyéthylène calibré pour une pression de 1103,2 kPa (160 PSI), pour les ensembles installés à un niveau de profondeur pouvant atteindre 67,1 m (220 pi). Pour les installations à des profondeurs au-delà de 67,1 m (220 pi), utiliser des tuyaux en acier galvanisé pour composer la tuyauterie de descente.

DÉMARRAGE INITIAL/NOUVEAUX PUIITS

REMARQUE : NE JAMAIS faire fonctionner la pompe avec la valve de refoulement complètement fermée. La pompe détruit son mécanisme si elle fonctionne avec le refoulement coupé ("au point mort") et la garantie sera alors annulée.

REMARQUE : Pour éviter que le sable ne bloque le mécanisme de la pompe, effectuer la démarche suivante au moment où la pompe est mise en route pour la première fois. **NE JAMAIS** démarrer une pompe avec le refoulement ouvert à fond avant que cette opération n'ait été effectuée.

1. Connecter un raccord coudé, une longueur courte de tuyau et un robinet-vanne au refoulement de la pompe, au niveau de la tête du puits (voir Fig. 10).
2. Monter la boîte de commande du moteur (pompe à 3 fils) ou le sectionneur de courant à fusibles (pompe à 2 fils) dans un endroit protégé en permanence des intempéries. S'assurer que les commandes ne sont pas soumises à des chaleurs extrêmes ou à une humidité excessive.
3. S'assurer que les commandes sont en position OFF (arrêt).
4. Connecter les fils conducteurs du moteur et la source d'alimentation à la boîte de commande du moteur ou au démarreur magnétique (voir Schémas de câblage de l'installation). **NE PAS ENCORE DÉMARRER LA POMPE.**
5. Régler le robinet-vanne pour que le refoulement soit ouvert à 1/3 ; démarrer la pompe (voir Fig. 10).
6. Laisser le robinet-vanne sur ce réglage tandis que l'eau pompée arrose le sol. Laisser couler l'eau jusqu'à ce qu'elle soit claire et ne contienne plus de limon ni de sable. (Pour contrôler la présence de solides dans l'eau, remplir un verre à la pompe et laisser les solides se déposer.)
7. Lorsqu'avec le refoulement ouvert à 1/3 l'eau est tout à fait claire, ouvrir le robinet-vanne à environ 2/3 et répéter l'opération.
8. Lorsqu'avec le refoulement ouvert à 2/3 l'eau est tout à fait claire, ouvrir le robinet-vanne à fond et faire marcher la pompe jusqu'à ce que l'eau soit bien claire.
9. Déposer le robinet-vanne en vue de son installation définitive près du réservoir (voir Fig. 11 et 12).
10. Monter le plombage sanitaire du puits ou l'ensemble adaptateur sans cavité, le puits, la canalisation électrique et la tuyauterie en surface. L'installation doit satisfaire à tous les codes et réglementations qui s'appliquent.

CONNEXION AU RÉSERVOIR/ CIRCUIT D'EAU

⚠ AVERTISSEMENT Pression dangereuse. Les pompes submersibles peuvent développer des pressions très élevées dans certaines circonstances. Poser une soupape de décharge pouvant laisser passer tout le débit de la pompe à une pression de 75 lb/po² (517 kPa) lorsqu'on utilise un réservoir sous pression. Poser une soupape de décharge pouvant laisser passer tout le débit de la pompe à 100 lb/po² (690 kPa) lorsqu'on utilise un réservoir préchargé. Monter ce clapet de surpression entre la pompe et le réservoir.

⚠ ATTENTION La pâte à joint utilisée sur les tuyaux peut fissurer le plastique. Utiliser uniquement du ruban téflon sur les raccords de tuyauterie en plastique.

REMARQUE : L'exposition au gel de la pompe et la tuyauterie risque d'endommager sérieusement la pompe et d'annuler ainsi les termes de la garantie. La pompe et la tuyauterie (y compris le réservoir de pression) doivent être protégés du gel.

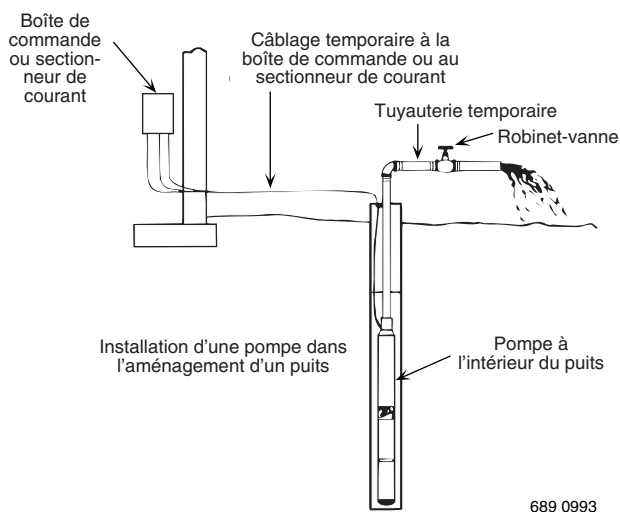
CONNEXION DU RÉSERVOIR À PRESSION PRÉCHARGÉE

Se reporter à la figure 11 pour voir comment raccorder les tuyaux au réservoir à pression préchargée.

REMARQUE : Vérifier l'accumulation d'air préchargée dans le réservoir avant de démarrer la pompe. Ajuster la pression préchargée en l'étalonnant à 13,8 kPa (2 PSI) au-dessous du niveau de mise en circuit de la pompe, (un réservoir de pression préchargée avec un commutateur 30-50, par exemple, doit être chargé à une pression d'air calibrée à 193,1 kPa (28 PSI)). Régler le niveau de la pression en ajoutant ou en faisant échapper l'air par la valve de pneu située au-dessus du réservoir. Vérifier le niveau de pression préchargée une fois par an et ajuster la pression si nécessaire.

CONNEXION DU RÉSERVOIR STANDARD

Se reporter à la figure 12 pour voir comment raccorder la tuyauterie au réservoir de pression standard et pour déterminer la distance qui sépare les prises de purge du réservoir de pression.



689 0993

Figure 10 – Branchements temporaires pendant le nettoyage du puits en préparation du démarrage.

Renseignements importants concernant la mise à la terre

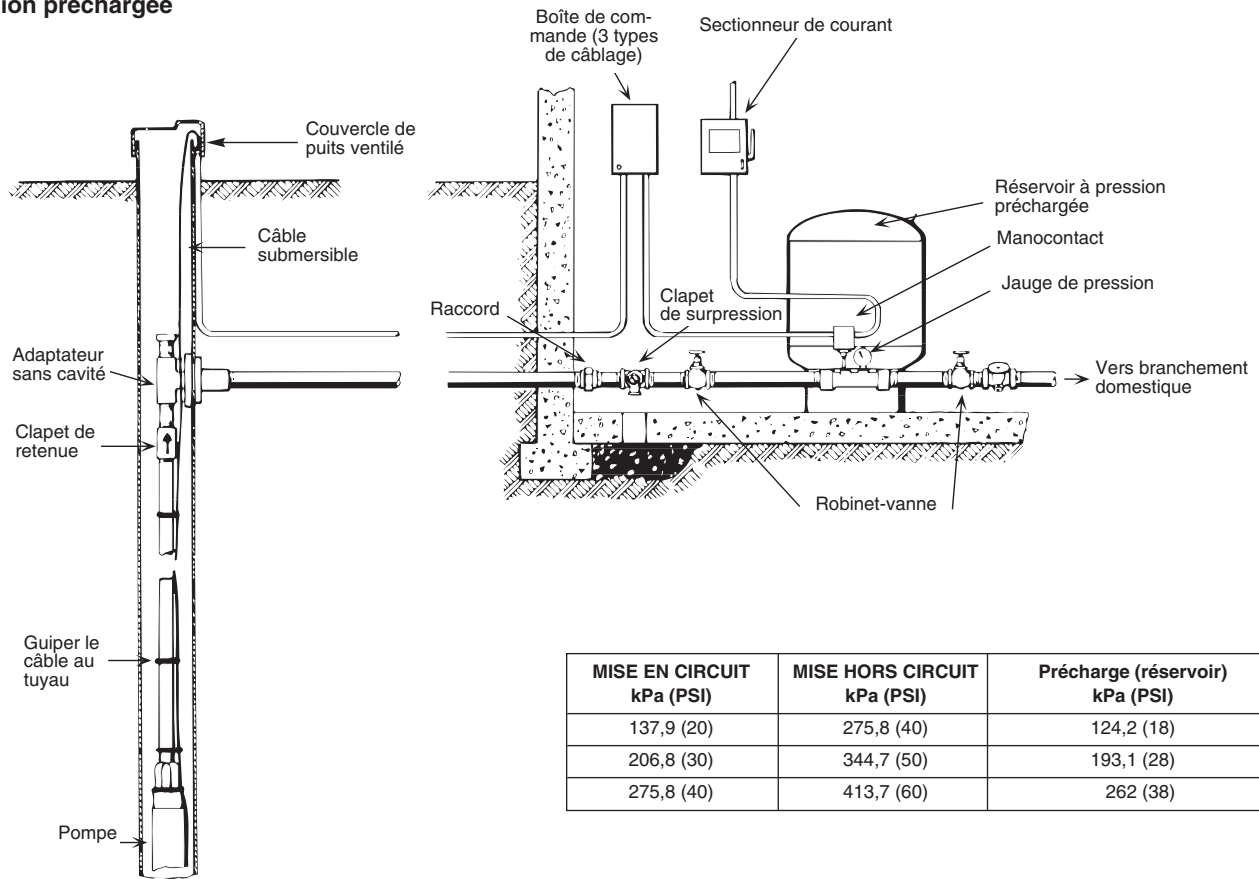
⚠ AVERTISSEMENT

Tension dangereuse. Risque de secousses, de brûlures, voire de mort. Pour minimiser les risques de secousses électriques pendant le fonctionnement de la pompe, mettre et connecter à la terre la pompe et le moteur en procédant comme suit :

- A. Pour minimiser les risques de secousses électriques des pièces métalliques de l'ensemble autre que la pompe, connecter toutes les pièces métalliques accessibles ensemble, côté couvercle du puits (y compris le tuyau de refoulement métallique, le tubage métallique du puits, etc.). Utiliser, jusqu'au moteur de la pompe, un conducteur de connexion métallique dont le diamètre sera au moins aussi gros que les conducteurs du câble d'alimentation descendant dans le puits.
- B. Attacher avec un collier ou souder (ou les deux au besoin) ce conducteur de connexion sur le moyen de mise à la terre prévu sur la pompe, qui sera la borne de mise à la terre de l'équipement, le conducteur de mise à la terre du corps de la pompe ou un fil de mise à la terre de l'équipement. Le fil de mise à la terre de l'équipement, lorsqu'il est fourni, est le conducteur à gaine verte qui peut également comporter une ou plusieurs bandes jaunes.
- C. Mettre à la terre la pompe, le moteur et tous les conduits métalliques qui supportent les conducteurs du câble d'alimentation. Mettre à la terre tous ces éléments sur le service en branchant un conducteur en cuivre qui ira de la pompe, du moteur et du conduit à la vis de mise à la terre prévue dans le coffret de câblage de la boîte de connexions d'alimentation. Le diamètre de ce conducteur doit être au moins aussi gros que les conducteurs du circuit d'alimentation de la pompe.

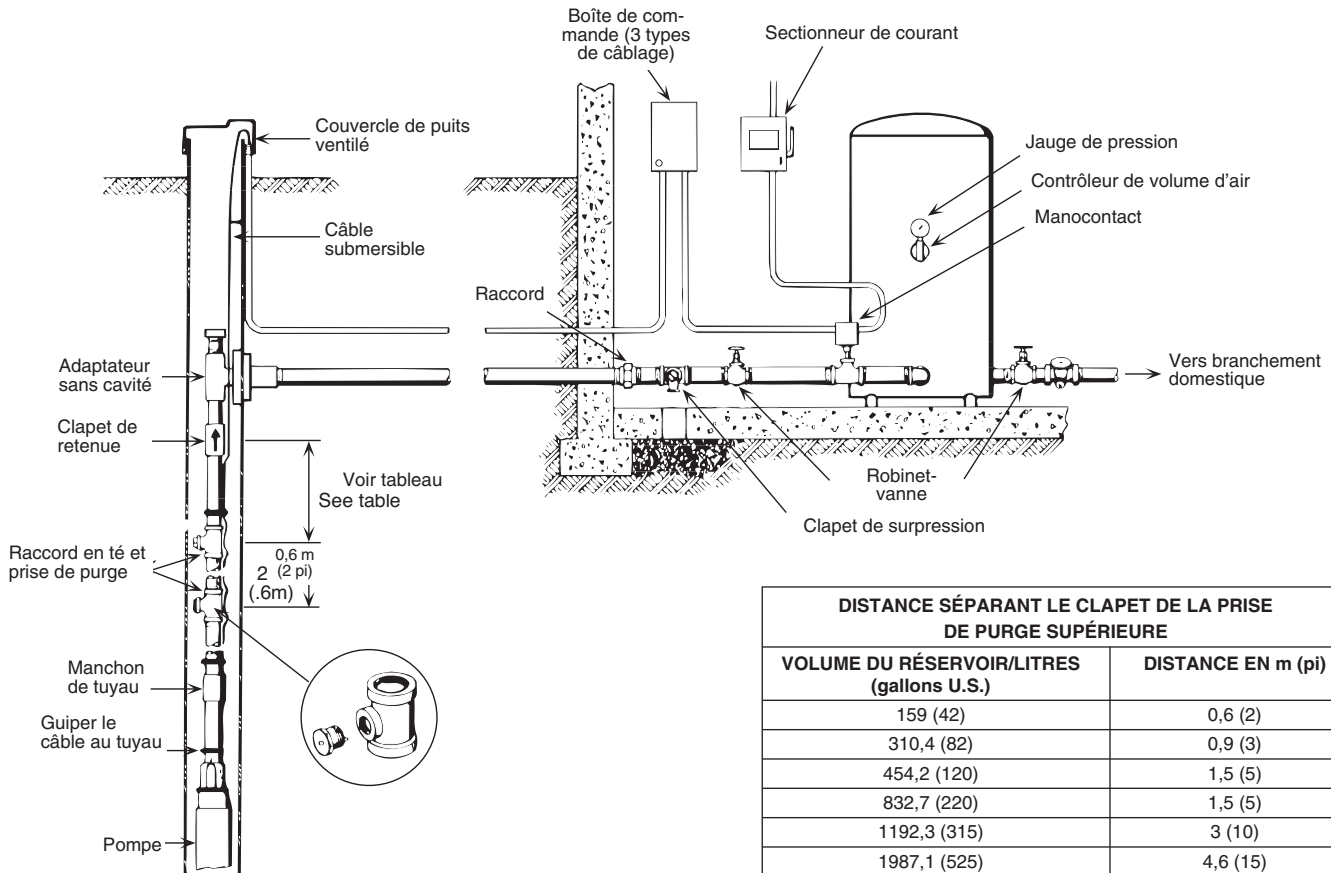
Conserver ces instructions.

Figure 11 – Installation type de réservoir à pression préchargée



MISE EN CIRCUIT kPa (PSI)	MISE HORS CIRCUIT kPa (PSI)	Précharge (réservoir) kPa (PSI)
137,9 (20)	275,8 (40)	124,2 (18)
206,8 (30)	344,7 (50)	193,1 (28)
275,8 (40)	413,7 (60)	262 (38)

Figure 12 – Installation type d'un réservoir standard



DISTANCE SÉPARANT LE CLAPET DE LA PRISE DE PURGE SUPÉRIEURE	
VOLUME DU RÉSERVOIR/LITRES (gallons U.S.)	DISTANCE EN m (pi)
159 (42)	0,6 (2)
310,4 (82)	0,9 (3)
454,2 (120)	1,5 (5)
832,7 (220)	1,5 (5)
1192,3 (315)	3 (10)
1987,1 (525)	4,6 (15)

LOCALISATION DES PANNES

PROBLÈME	VÉRIFIER	MESURE CORRECTIVE
<p>Le moteur refuse de démarrer mais les fusibles ne fondent pas</p> <p>Aucune tension.</p>	<p>Aucune tension au niveau de la boîte de commande ou du sectionneur.</p> <p>Aucune tension au niveau du manoccontact.</p> <p>Aucune tension au niveau de la boîte de commande.</p> <p>Mauvais câblage ou mauvais raccords.</p> <p>La boîte de commande n'est pas câblée correctement.</p>	<p>Remplacer les fusibles fondus.</p> <p>Remplacer le manoccontact défectueux.</p> <p>Recâbler l'alimentation électrique à la boîte de commande.</p> <p>Contacteur un réparateur ou un électricien agréé.</p> <p>Reconnecter correctement la boîte de commande (voir Schémas de câblage de l'installation).</p>
<p>Les fusibles fondent ou la protection de surcharge s'enclenche lorsque le moteur démarre</p> <p>Type de fusible ou d'interrupteur temporisé incorrect.</p> <p>Calibre de fil trop mince.</p> <p>Le condensateur de démarrage est défectueux, fondu ou de type incorrect.</p> <p>Basse ou haute tension.</p> <p>Les fils conducteurs de l'alimentation électrique ne sont pas correctement connectés à la boîte de commande.</p> <p>Présence de fils brisés dans la boîte de commande.</p> <p>La pompe ou le moteur est bloqué ou grippé.</p> <p>Les raccords des fils d'alimentation électrique ou les conducteurs du moteur sont mis à la terre, en court-circuit, ou ouverts.</p>	<p>Comparer le type de fusible avec le tableau de la page 9.</p> <p>Comparer le type de fil électrique avec le tableau de la page 10.</p> <p>Vérifier si le condensateur de démarrage de la boîte de commande a fondu. Vérifier l'indice du condensateur. Vérifier le relais de démarrage.</p> <p>Vérifier si la tension sur la ligne, au moment où le moteur tourne, est à $\pm 10\%$ de la valeur reportée sur la plaque du moteur.</p> <p>Comparer le schéma de câblage de la boîte de commande avec le branchement du courant en arrivée. Vérifier le code couleur des fils d'alimentation électrique.</p> <p>Inspecter toutes les connexions et les branchements dans la boîte de commande.</p> <p>Vérifier si un arbre n'est pas bloqué dans la pompe.</p> <p>Contacteur un électricien agréé ou un réparateur qualifié.</p>	<p>Installer le type de fusible ou d'interrupteur temporisé correct.</p> <p>Installer le type de fil électrique qui convient.</p> <p>Changer le condensateur de démarrage. Remplacer le relais de démarrage s'il est défectueux.</p> <p>Si l'écart de tension dépasse la plage de $\pm 10\%$, contacter la Compagnie d'électricité et les services hydro-électriques locaux pour faire régler la tension.</p> <p>Reconnecter les conducteurs en fonction du schéma de câblage indiqué sur la panneau interne du couvercle de la boîte de commande. Reconnecter les fils d'alimentation électrique pour que leur code couleur corresponde à celui des conducteurs du moteur.</p> <p>Débrancher le courant et réparer ou remplacer les fils défectueux.</p> <p>Si nécessaire, extraire la pompe (effectuer d'abord tous les contrôles en surface). Si la pompe est bloquée, la remplacer. Bien nettoyer la pompe en enlevant le sable ou le limon avant de la remettre en place.</p> <p>Ne pas procéder au désassemblage de la pompe ou du moteur.</p>
<p>Les fusibles fondent ou la protection contre la surcharge s'enclenche lorsque le moteur tourne</p> <p>Basse ou haute tension.</p> <p>Température ambiante (atmosphérique) élevée.</p> <p>Tension ou puissance nominale ne convenant pas à la boîte de commande.</p> <p>Calibre de fil trop mince.</p>	<p>Vérifier si la tension sur la ligne, au moment où le moteur tourne, est à $\pm 10\%$ de la valeur reportée sur la plaque du moteur.</p> <p>Contrôler la température de la boîte de commande.</p> <p>Comparer les valeurs de tension et de puissance nominale sur la plaque du moteur à celles reportées sur la plaque de la boîte de commande ou sur le schéma du circuit (couvercle de la boîte de commande).</p> <p>Comparer le calibre du fil avec le tableau de la page 10.</p>	<p>Si l'écart de tension dépasse la plage de $\pm 10\%$, contacter la Compagnie d'électricité et les services hydro-électriques locaux pour faire régler la tension.</p> <p>Ne pas exposer la boîte de commande directement aux rayons du soleil.</p> <p>Changer la boîte de commande si les valeurs indiquées ne correspondent pas entre elles. N'utiliser que la boîte de commande conçue spécialement pour cette pompe.</p> <p>Installer le fil du type qui convient.</p>
<p>La pompe démarre trop fréquemment</p> <p>Présence de fuites dans le circuit.</p> <p>Manoccontact.</p> <p>Fuites des clapets de retenue.</p> <p>Réservoir noyé.</p> <p>Fuite dans le tuyau de descente.</p> <p>Le manoccontact est trop éloigné du réservoir.</p>	<p>Contrôler les connexions des tuyaux du réservoir en utilisant de l'eau savonneuse pour localiser les fuites d'air. Vérifier si les canalisations présentent des fuites.</p> <p>Vérifier si le contacteur est défectueux ou mal réglé.</p> <p>S'assurer que les clapets de retenue ne fuient pas dans le sens du reflux.</p> <p>Réservoir à pression préchargée : vérifier la pression d'air préchargée dans le réservoir, vérifier s'il n'y a pas de fuites dans le réservoir souple.</p> <p>Réservoir sous pression : vérifier si des fuites d'air se produisent au niveau du contrôleur de volume d'air (AVC).</p> <p>Lever le tuyau de descente petit à petit jusqu'à ce qu'il y ait de l'eau dans le tuyau.</p> <p>Mesurer la distance entre le manoccontact et le réservoir.</p>	<p>Le circuit doit être étanche à l'air et à l'eau.</p> <p>Réajuster ou remplacer le manoccontact.</p> <p>Remplacer les clapets de retenue si nécessaire.</p> <p>Réservoir à pression préchargée : régler la pression de l'air 13,8 kPa (2 PSI) au-dessous du niveau de mise en circuit de la pression de la pompe (lorsqu'il n'y a plus de pression d'eau dans le circuit). Remplacer le réservoir souple si nécessaire.</p> <p>Réservoir sous pression : réparer ou remplacer le réservoir, remplacer le contrôleur AVC si nécessaire.</p> <p>Remplacer la tuyauterie au-dessus de ce point.</p> <p>Positionner le contacteur à 0,3 mm (1 po) du réservoir.</p>
<p>Aucun ou peu de débit d'eau</p> <p>Vérifier si le clapet n'est pas bloqué ou monté à l'envers (uniquement sur réservoir standard).</p> <p>Niveau d'eau bas.</p> <p>Basse tension.</p> <p>Crépine d'entrée obstruée.</p> <p>Clapet de retenue bloqué au niveau du refoulement de la pompe.</p> <p>Usure des roues motrices et des diffuseurs.</p>	<p>Inspecter l'état du clapet.</p> <p>Déterminer le niveau d'eau le plus bas dans le puits pendant le fonctionnement de la pompe, et comparer le résultat avec le paramètre du réglage de profondeur de la pompe.</p> <p>Vérifier la tension au niveau de la boîte de commande pendant que la pompe fonctionne. Comparer le calibre des fils en arrivée et celui des fils d'alimentation électrique à l'aide du tableau à la page 10.</p> <p>Extraire la pompe et inspecter l'état de la crépine.</p> <p>Extraire la pompe et inspecter le clapet de retenue.</p> <p>S'assurer que le circuit n'est obstrué par aucune impureté et que la pompe fonctionne normalement en eau profonde.</p>	<p>Si le clapet est bloqué, le libérer des impuretés ; s'il est monté à l'envers, inverser sa position.</p> <p>Abaisser la pompe vers le fond du puits (à au moins 1,5 m (5 pi) du fond). Augmenter le régime de refoulement de la pompe jusqu'à ce qu'il soit égal au niveau de redressement du puits.</p> <p>REMARQUE : Si on fait tourner la pompe pendant la création de poches d'air, on risque d'endommager sérieusement la pompe et de réduire sa puissance d'amorçage.</p> <p>Installer un calibre de fil plus épais entre le compteur et la boîte de commande. Installer un calibre de fil plus épais entre la boîte de commande et la pompe. Si nécessaire, demander à la Compagnie d'électricité d'augmenter la tension d'alimentation.</p> <p>Nettoyer ou remplacer selon le cas.</p> <p>Libérer le clapet de retenue de toute obstruction.</p> <p>Remplacer la pompe.</p>
<p>L'eau déchargée des robinets est d'aspect laiteux ou chargée d'air</p> <p>Gaz dans l'eau du puits.</p> <p>Le contrôleur de volume d'air ne fonctionne pas (réservoir standard uniquement).</p>	<p>Contrôler la présence de gaz dans l'eau du puits.</p> <p>S'assurer que les ouvertures et la bille du clapet de retenue ne sont pas obstruées.</p>	<p>Éliminer les prises de purges ; insérer les tés de raccord.</p> <p>Vérifier si les tés d'obturation présentent des fuites.</p> <p>Si nécessaire, séparer le gaz de l'air avant qu'il ne pénètre dans le réservoir de pression.</p> <p>Remplacer le contrôleur si nécessaire.</p>

CONSERVER L'ORIGINAL DU REÇU POUR TOUTE RÉFÉRENCE ULTÉRIEURE.

GARANTIE LIMITÉE

WATER ACE garantit à l'acheteur/au consommateur d'origine (l'Acheteur) que ses produits sont exempts de tout vice de matériau et de fabrication. Cette garantie est valable pendant douze (12) mois à partir de la date d'achat d'origine.

Si, dans les douze (12) mois suivant la date d'achat d'origine, un produit se révèle défectueux, il sera réparé ou remplacé, à la discrétion de WATER ACE, conformément aux modalités et conditions exposées ci-dessous. Le reçu de l'achat d'origine et l'étiquette d'information sur la garantie sont requis pour déterminer la recevabilité de la réclamation au titre de la garantie. La recevabilité de la réclamation se base sur la date de l'achat d'origine du produit, et non sur la date d'un éventuel remplacement sous garantie. La garantie est limitée à la réparation ou au remplacement du produit uniquement. L'Acheteur assume les frais de retrait, d'installation, de transport et tous les frais accessoires.

Pour obtenir des pièces ou de l'aide technique, NE PAS retourner le produit au détaillant. Contacter le service à la clientèle de WATER ACE au 1-800-942-3343.

Les réclamations au titre de cette garantie doivent être effectuées en retournant le produit (à l'exception des pompes d'eaux d'égout, voir ci-dessous) au détaillant où il a été acheté, et ce, immédiatement après la découverte de la défaillance supposée. WATER ACE prendra les mesures correctives nécessaires dans un délai rapide et raisonnable. Aucune demande de réparation ne sera acceptée plus de 30 jours après l'expiration de la garantie.

POMPES D'EAUX D'ÉGOUT

NE PAS RETOURNER une pompe d'eaux d'égout (qui a été installée) au détaillant. Communiquer avec le service à la clientèle de WATER ACE. Les pompes d'eaux d'égout qui ont été utilisées, puis retirées présentent un risque de contamination.

En cas de défaillance de la pompe d'eaux d'égout :

- Porter des gants en caoutchouc pour manipuler la pompe.
- À des fins de garantie, retourner l'étiquette figurant sur le cordon de la pompe et l'original du reçu au détaillant.
- Mettre la pompe au rebut conformément à la réglementation locale.

Exceptions à la garantie limitée de douze (12) mois

Produit	Période de garantie
Pompes de surface à usages multiples R106, R107	90 jours
Pompe submersible à usages multiples RES	2 ans
Pompe submersible de puisard R33SP	3 ans
Pompe submersible de puisard R50SP	3 ans
Pompe submersible de puisard R3S	5 ans
Pompe submersible de puisard R5V, Réservoir préchargé de système d'eau	5 ans
Pompes de puisard et d'eaux d'infiltration R50VLT, R75VLT	à vie
Pompe sur socle de puisard R5PILT	
Pompe d'eaux d'égout submersible R7W	

Modalités et conditions générales

L'Acheteur doit payer tous les frais de main d'œuvre et de transport nécessaires au remplacement du produit garanti couvert par cette garantie. Cette garantie ne s'applique pas à ce qui suit : (1) Les catastrophes naturelles; (2) Les produits qui, selon WATER ACE, ont fait l'objet d'une négligence, d'une utilisation abusive, d'un accident, d'une mauvaise application ou d'une altération; (3) Les défaillances dues à une installation, une utilisation, un entretien ou un entreposage inappropriés; (4) Une application, une utilisation ou une réparation atypique ou non approuvée; (5) Les défaillances causées par la corrosion, la rouille ou d'autres matériaux étrangers au système, ou par une utilisation à une pression supérieure au maximum recommandé.

Cette garantie établit la responsabilité unique de WATER ACE et le recours exclusif de l'Acheteur en cas de produit défectueux.

WATER ACE NE POURRA ÊTRE TENUE RESPONSABLE DE TOUT DOMMAGE INDIRECT OU CONSÉCUTIF QUEL QU'IL SOIT.

LES PRÉSENTES GARANTIES SONT EXCLUSIVES ET REMPLACENT TOUTE AUTRE GARANTIE EXPRESSE OU IMPLICITE, Y COMPRIS, MAIS SANS S'Y LIMITER, CELLE DE QUALITÉ MARCHANDE OU D'APTITUDE DU PRODUIT À UN EMPLOI PARTICULIER. LES PRÉSENTES GARANTIES NE PEUVENT SE PROLONGER AU-DELÀ DE LA PÉRIODE DE GARANTIE INDIQUÉE ICI.

Certains États ne permettent pas l'exclusion ou la limitation des dommages indirects ou consécutifs, ni les limitations relatives à la durée des garanties implicites. Par conséquent, il se peut que les limitations ou les exclusions ci-dessus ne s'appliquent pas. Cette garantie procure des droits juridiques précis à l'Acheteur. Cependant, il est possible de bénéficier d'autres droits, qui varient selon l'État.

WATER ACE PUMP CO. • 293 Wright St. • Delavan, WI U.S.A. 53115
Téléphone : 1-800-942-3343 (É.-U. seulement)
Site Web : <http://www.waterace.com>

Lea cuidadosamente y respete todas las instrucciones sobre seguridad en el presente manual o en la chapa del motor.

Este es un símbolo de atención sobre cuestiones de seguridad. Cuando vea usted este símbolo sobre su bomba o en el presente manual busque una de las siguientes palabras y prevéngase contra la posibilidad de lesiones corporales.

PELIGRO La palabra **PELIGRO** previene contra riesgos que causarán heridas, muerte o considerables daños materiales si no se les presta atención.

ADVERTENCIA **ADVERTENCIA** previene contra riesgos que pueden causar graves lesiones corporales, la muerte o considerables daños materiales si no se les presta atención.

CUIDADO **CUIDADO** previene contra riesgos que **causarán o podrían** causar lesiones corporales o daños materiales de menor importancia si no se les presta atención.

La palabra **AVISO** indica instrucciones especiales que son importantes pero no están relacionadas con riesgos.

Para evitar lesiones corporales graves o fatales y posibles daños materiales lea atentamente y respete las instrucciones sobre seguridad.

1. **ADVERTENCIA** **Presión peligrosa** En ciertas condiciones, las bombas sumergibles pueden desarrollar presiones sumamente elevadas. Instale una válvula de desahogo de presión capaz de pasar todo el flujo de la bomba a 75 lib/pulg² (517 kPa) cuando se use un tanque de presión de aire sobre agua. Instale una válvula de desahogo de presión capaz de pasar todo el flujo de la bomba a 100 lib/pulg² (690 kPa) cuando use un tanque de presión pre-cargado.

No permita que se congele la bomba, el tanque de presión, la tubería o ningún otro componente del sistema que contenga agua. El congelamiento podrá dañar al sistema y causar lesiones o anegamientos. El hecho de permitir que la bomba o los componentes del sistema se congelen anula la garantía.

2. **ADVERTENCIA** **Voltaje peligroso** Puede ser causa de descargas eléctricas y provocar quemaduras o muerte. Para evitar el peligro de una descarga eléctrica peligrosa o fatal use la bomba solamente en un pozo de agua.

ADVERTENCIA **Riesgo de choque eléctrico peligroso o fatal.** No instale esta bomba en estanques, ríos o masas de agua abiertas que se puedan usar para natación o recreación. No nade, camine ni juegue en masas de agua en las que se haya instalado una bomba sumergible.

Instale, ponga a tierra y conecte la bomba de acuerdo con las exigencias locales aplicables y el Código Canadiense de Electricidad (Canadian Electrical Code) o el código nacional sobre instalaciones eléctricas que sea aplicable.

Desconecte la alimentación de energía eléctrica antes de instalar o dar mantenimiento a la bomba.

Asegúrese de que el voltaje y la frecuencia de la línea eléctrica sean las que figuran en la chapa del motor.

3. Instale la bomba de conformidad con todas las exigencias de los códigos referentes a instalación de tuberías, bombas y pozos.

4. Verifique la pureza del agua del pozo antes de utilizar el pozo. Llame al departamento de salud de su localidad para enterarse de los procedimientos necesarios.

5. Durante la instalación mantenga el pozo cubierto para impedir que caigan en él hojas y materiales extraños. Los materiales que caigan al pozo pueden contaminar el agua y dañar la bomba.

6. Los compuestos tomajuntas para tuberías pueden causar rajaduras en el plástico. Use solamente cinta de teflón para sellar las juntas de los tubos de plástico o el caño de conexión a las bombas de material termoplástico.

PREPARATIVOS

Inspeccione la bomba y el motor a su entrega para determinar la posible presencia de daños. Informe de inmediato al transportista o al concesionario de la bomba sobre todo daño ocurrido.

El perforador del pozo debe limpiar perfectamente el pozo (bombearlo hasta extraer toda la arena fina y materiales extraños) antes de que se instale la bomba (Véase "Puesta en Marcha Inicial").

Los valores de rendimiento de la bomba se basan en el bombeo de agua limpia y fría sin arrastre de aire.

La garantía es nula en las siguientes condiciones:

- La bomba ha bombeado un exceso de arena que puede causar el desgaste prematuro de la bomba. (Véase "Puesta en Marcha Inicial").
- El agua es corrosiva.
- El agua bombeada contiene gases o aire de arrastre que reducen el caudal y causan cavitación que dañan la bomba.

- La bomba se ha hecho funcionar con la válvula de descarga cerrada, lo que causará graves daños internos.

Instale la bomba por lo menos a 15 a 20 pies (4,6 a 6 m) abajo del nivel de agua mínimo presente con la bomba en marcha (máximo descenso del nivel piezométrico) y por lo menos a 5 pies (1,5 m) por encima del fondo del pozo.

INSTALACIÓN ELÉCTRICA

ALAMBRADO Y CONTACTO A TIERRA

ADVERTENCIA **Voltaje peligroso** Puede ser causa de choque eléctrico, quemaduras o muerte. Conecte la bomba, el motor y la caja de control permanentemente a tierra antes de conectar la corriente eléctrica al motor.

Ponga la bomba y el motor a tierra de conformidad con todos los códigos y ordenanzas que sean procedentes. Utilice alambre de cobre para su contacto a tierra que sea por lo menos del diámetro de los alambres que llevan corriente al motor.

El motor se entrega con alambre para su contacto a tierra. Conecte el conductor de cobre que corresponda al diámetro del alambre del motor especificado en la Tabla 3. Véase en "Instalación de la bomba" la sección titulada "Empalme de cables".

Conecte la bomba, el motor y la caja de control permanentemente a tierra antes de conectar el cable de alimentación a la fuente de energía eléctrica. Conecte en primer lugar el cable de contacto a tierra a una tierra aprobada, luego conéctelo al equipo que se instala.

No utilice como tierra una tubería de gas.

Peligro de incendio y choque eléctrico. Si utiliza un cable de alimentación eléctrica superior al número 10 (5 mm²) (por ejemplo No. 8, es decir, de 7 mm²) entre la bomba y la caja de control, lleve el alambre a una caja de unión separada. Conecte la caja de unión con la caja de control mediante un alambre No. 10 (5 mm²). Para mayor información comuníquese con los funcionarios encargados del cumplimiento del código en la localidad.

ADVERTENCIA CONEXIONES DEL ALAMBRADO

Todo el alambre debe satisfacer las exigencias del código canadiense de electricidad o el código nacional de electricidad y las exigencias de los códigos locales.

Use alambre de cobre para las conexiones a la bomba y la caja de control.

Para evitar sobrecalentamiento del alambre y un exceso de caída de tensión hasta el motor asegúrese de que el diámetro del alambre utilizado sea por lo menos el que da la lista de la tabla 3 para la potencia correspondiente a su bomba y a la longitud de tendido del alambre.

AVISO: Véase en los diagramas de alambrado de instalación las conexiones típicas de alambrado y de identificación de la caja de control.

Cuadro 1: Datos de los fusibles recomendados (Motores para bombas sumergibles de 3 alambres, monofásicos, 60 Hz)

hp	Voltaje	Amperaje del factor de servicio	Amperaje del rotor bloqueado	Capacidad del fusible	
				Estándar	Doble elemento
1/2	230	6.3	22.3	20	10
3/4	230	8.3	32.0	25	15
1	230	9.7	41.2	30	20
1-1/2	230	11.1	47.8	35	20

Cuadro 2: Datos de los fusibles recomendados (Motores para bombas sumergibles de 2 alambres, monofásicos, 60 Hz)

hp	Voltaje	Amperaje del factor de servicio	Amperaje del rotor bloqueado	Capacidad del fusible	
				Estándar	Doble elemento
1/2	115	9.5	36.4	30	20
1/2	230	4.7	19.5	15	10
3/4	230	6.4	24.8	20	15
1	230	9.1	21.7	25	15
1-1/2	230	11.0	42.0	35	20

CUADRO III: Largo del cable de cobre en pies (Servicio al motor)

Motores Serie R, monofásicos, con cable trifilar, 60 Hz, tamaño de los hilos

Trifilar en pies	HP	Volt	Tamaño de los hilos, AWG										
			14	12	10	8	6	4	3	2	1	0	00
	0.5	230	348	553	883	1398	2175	3467	4359	5505	6935	8753	11044
	0.75	230	264	420	670	1061	1651	2632	3309	4178	5264	6644	8383
	1	230	226	359	573	908	1413	2252	2831	3575	4504	5685	7173
	1.5	230	197	314	501	793	1234	1968	2474	3124	3936	4968	6268

Motores Serie R, monofásicos, con cable bifilar, 60 Hz, tamaño de los hilos

Bifilar en pies	HP	Volt	Tamaño de los hilos, AWG										
			14	12	10	8	6	4	3	2	1	0	00
	0.5	115	115	183	293	463	721	1150	1445	1825	2299	2902	3662
	0.5	230	466	742	1183	1874	2915	4648	5843	7379	9295	11733	14803
	0.75	230	342	545	869	1376	2141	3413	4291	5419	6826	8617	10871
	1	230	241	383	611	968	1506	2400	3018	3811	4801	6060	7646
	1.5	230	199	317	505	801	1246	1986	2496	3153	3972	5013	6325

NOTA:

- Las longitudes máximas de alambrado deben mantener la tensión del motor a 95% de la tensión de entrada con el motor en marcha y un consumo igual al amperaje máximo nominal. Si la tensión de entrada es por lo menos igual a la tensión del valor nominal de la chapa bajo condiciones normales de carga es admisible un 50% adicional de longitud de tendido para todas las potencias.
- Los diámetros dados corresponden a alambres de cobre. Si se usa alambre de aluminio debe emplearse tamaños de dos números más (por ejemplo, si en la tabla figura el número 12 (3 mm²) de alambre de cobre use alambre de aluminio número 10 (5 mm²).

INSTRUCCIONES PARA EL ALAMBRADO DE INSTALACIÓN

Monofásico, 3 alambres



ADVERTENCIA Tensión peligrosa. Puede causar choque eléctrico, quemaduras o muerte.

Conecte a tierra la caja de control, toda tubería metálica y la carcasa del motor con alambre de cobre, de conformidad con el código canadiense de electricidad o el código nacional de electricidad y los códigos municipales que procedan. Utilice un alambre de contacto a tierra por lo menos de igual tamaño al de los alambres que proporcionan corriente al motor.

En la cabeza del pozo conecte el alambre de tierra a un terminal de contacto a tierra que satisfaga las exigencias que sean aplicables del Código Canadiense de Electricidad o el Código Nacional de electricidad. Para tener más información comuníquese con los funcionarios locales encargados de las cuestiones relacionadas con el código.

Cierre permanentemente todas las aberturas que no se utilicen de éste y otros equipos.

Desconecte la corriente eléctrica antes de trabajar en la caja de control, las tuberías, el cable, la bomba o el motor.

AVISO: Instale la caja de control verticalmente sobre la pared con la parte superior hacia arriba.

Las bombas de 3 conductores tienen tres conductores de alimentación (Rojo/Negro/Amarillo) y un conductor de tierra (Verde). Se requiere una caja de control.

Las bombas de 3 alambres no funcionan sin la caja de control, si se intenta hacerlo el motor se quemará.

Las instalaciones deben incluir la protección de circuitos y componentes de conformidad con el código nacional de electricidad de los Estados Unidos o el Código Canadiense de Electricidad, parte 1.

Si el disyuntor de sobrecarga funcionara, verifique que:

1. El capacitor no esté en corto circuito.
2. No haya problemas con el voltaje.
3. La bomba no esté sobrecargada o trabada.

AVISO: Use solamente la caja de control diseñada para usar con la bomba. Asegúrese de que la caja de control corresponde al motor (Tabla 4). LA OMISIÓN DE ESTA PRECAUCIÓN ANULA LA GARANTÍA.

Cuadro 4: Diagrama de Cajas de Control

hp	Voltaje	Caja de control No.
1/2	230	RF303
3/4	230	RF304
1	230	RF305
1-1/2	230	RF306



ADVERTENCIA Para motores de 1 1/2 hp o mayores use un arrancador magnético para prevenir daños al interruptor manométrico o de presión. Pida a la fábrica información sobre instalación eléctrica.

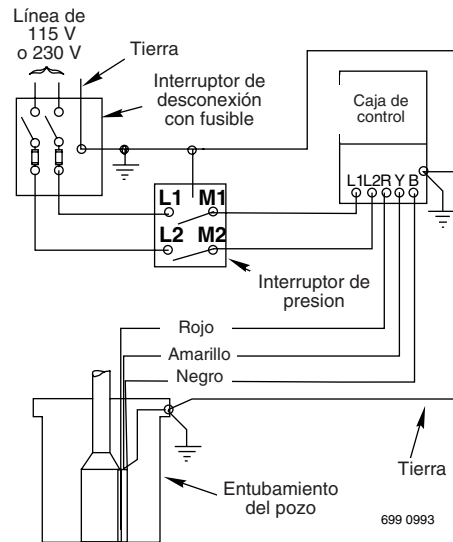


Figura 1A - Motor monofásico, 3 alambres - caja de desconexión rápida para motores de 1/2 a 1 hp.

Monofásico, 2 alambres

Las bombas de 2 conductores tienen dos conductores de alimentación (Rojo/Negro) y un conductor de tierra (Verde). No se requiere una caja de control.

Ver Figura 1B para la información de conexión correcta de los motores de dos conductores de 230 Voltios solamente.

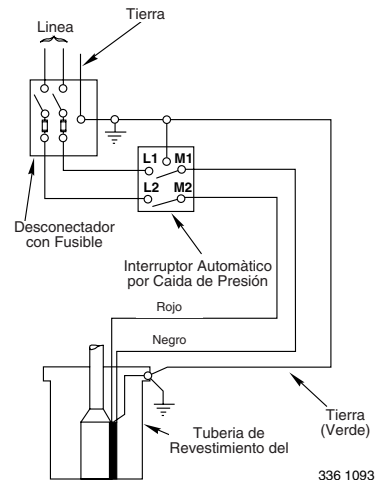


Figura 1B - Conexiones de los motores de dos conductores monofásicos

Cuando conecte la caja de control siga las señales de color (Amarillo para Y, Rojo para R, Negro para B)

INSTALACIÓN

EMPALME DE ALAMBRES

Empalme el alambre a los conductores del motor. Para las conexiones al motor de la bomba y caja de control use solamente alambre de cobre.

1. **Empalme con cinta aisladora** (Tamaño de alambre No. 8 (7 mm²) y mayor):

- Corte los conductores del motor. Escalone las longitudes del conductor y del alambre de modo que el segundo conductor sea dos pulg (50,8 mm) más largo que el primer conductor y el tercer conductor sea 2 pulg (50,8 mm) más largo que el segundo.
- Corte los extremos del alambre de alimentación eléctrica. Adapte los colores y las longitudes de los alambres a los colores y longitudes de los conductores del motor.
- Recorte la aislación 1/2" (12,7 mm) del extremo de los alambres de alimentación y los conductores del motor.
- Inserte los extremos del conductor del motor y del alambre de alimentación en un conector de tope (conector de cubrejunta) (véase la fig. 2). Emplee los mismos colores para el alambrado que los de los conductores del motor.
- Con ayuda de pinzas de acodillar, acodille los extremos del conector de tope (véase fig. 3) para fijar los alambres.
- Use masilla de aislación eléctrica "Scotchfil", cortándola en tres partes iguales y colóquelas firmemente en torno de los extremos del conector. Asegúrese de que el Scotchfil se superponga a la parte aislada del alambre.
- Con cinta aisladora Scotch No. 33, rodee firmemente cada una de las uniones y cubra el alambre hasta aproximadamente 1 1/2" (38,1 mm) a cada lado del empalme. Pase dos veces la cinta y cuando termine tendrá cuatro capas de cinta envueltas firmemente en torno al alambre. Oprima los bordes de la cinta firmemente contra el alambre (véase fig. 5).

AVISO: Teniendo en cuenta que la cinta firmemente enrollada en torno al alambre es el único medio de mantener la humedad fuera del empalme, la eficiencia de la unión dependerá del cuidado que se ponga al enrollar la cinta.

AVISO: En tamaños de alambres superiores al No. 8 (7 mm²) use una unión soldada en lugar de masilla Scotchfil (véase fig. 4).

2. **Unión sellada con tubo de plástico de contracción térmica** (Para tamaños de alambres No. 14, 12 y 10 AWG (2, 3 y 5 mm²):



Figura 2



Figura 3



Figura 4



Figura 5

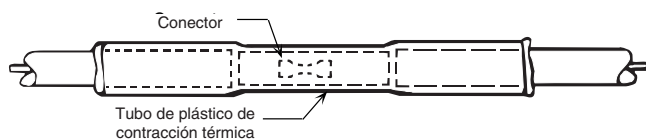


Figura 6

- Retire unos 3/8" (9,5 mm) de aislación de los extremos de los conductores del motor y de los alambres de alimentación eléctrica.
- Coloque el tubo plástico de contracción térmica sobre los conductores del motor entre la alimentación eléctrica y el motor.
- Ajuste** los alambres de alimentación y los del motor de acuerdo a sus colores y longitudes.
- Coloque los extremos del alambre de alimentación y de los conductores del motor dentro del conector de tope y acodille (véanse las figs. 2 y 3). **Conecte** a los alambres del motor los alambres de alimentación del mismo color. Tire de los conductores para verificar la solidez de las conexiones.
- Centre el tubo de plástico sobre el conector de tope (conector de cubrejunta) y aplique calor en forma pareja con un soplete (un fósforo o un encendedor no dan suficiente calor).

AVISO: Mantenga el soplete en movimiento. Un exceso de calor concentrado puede dañar el tubo de plástico (véase fig. 6).

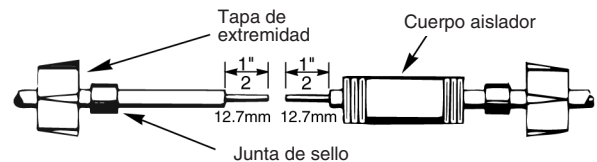


Figura 7 – Pronto para el empalme

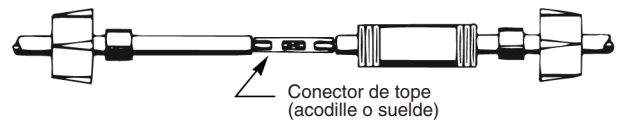


Figura 8 – Unión de los extremos de los alambres

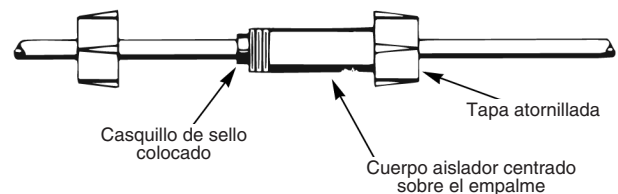


Figura 9 – Ajuste las tapas de extremos

3. **Empalme mecánico**, con aisladores plásticos para alambre calibre 14, 12 y 10 AWG (2, 3 y 5 mm²):

- Corte los conductores del motor. Escalone las longitudes de estos conductores y el alambre de manera que el segundo conductor sea 4 pulgadas (101,6 mm) más largo que el primero y el tercero a su vez 4 pulgadas (101,6 mm) más largo que el segundo.
- Corte los extremos del alambre de alimentación eléctrica. Use los **mismos** colores y longitudes correspondientes a los conductores del motor.
- Corte la aislación hasta 1/2" (12,7 mm) de los extremos del alambre de alimentación y de los conductores del motor.
- Desatornille las tapas de plástico de los aisladores. Coloque una tapa y una junta de sello de neopreno en cada uno de los alambres que se empalman (véase fig. 7).
- Deslice el cuerpo del aislador sobre el extremo de uno de los alambres (Fig. 7).
- Inserte el alambre en el conector de tope y acodille. Haga que los colores de los conductores de alimentación y del motor coincidan (véase fig. 8).
- Centre el cuerpo del aislador sobre la unión y deslice las juntas de sello en el interior del cuerpo hasta donde sea posible. Atornille las tapas sobre el cuerpo del aislador (véase fig. 9) y ajústelas a mano. El resultado es una unión fuerte y hermética.

INSTALACIÓN DEL ALAMBRADO DE ALIMENTACIÓN ELÉCTRICA

- Para probar el funcionamiento de la bomba sumergible conéctela momentáneamente (por no más de 30 segundos) a la fuente eléctrica adecuada. La frecuencia de la corriente eléctrica y la tensión no deben diferir de los valores nominales de frecuencia y tensión dados en la chapa más de ± 10.
- Sujete los conductores de alambre de la alimentación eléctrica en forma segura a la sección de descarga de la bomba; deje de 4 a 5 pulgadas (100 a 125 mm) de cable flojo en este lugar. Sujete firmemente los conductores a la tubería de plástico a no más de 6 pulgadas (150 mm) de la sección de descarga de la bomba. Utilice guías de centrado para proteger el alambrado y la tubería e impedir que rocen contra el entubamiento del pozo.

3. Conecte alambres de contacto a tierra de cobre al soporte del motor. El alambre de contacto a tierra debe tener dimensiones iguales a los alambres que proporcionan corriente al motor. Consulte en el Código Canadiense de Electricidad y en los códigos locales la información sobre contacto a tierra pertinente.
4. Use solamente alambres de alimentación eléctrica sumergibles proporcionados por el fabricante de la bomba. Cuando baje la bomba por el interior del pozo asegure los alambres de alimentación a la tubería de descarga cada 10 pies (3 m) con cinta aisladora eléctrica Scotch No. 33. **NO DAÑE LOS ALAMBRES QUE VAN A LA BOMBA.**

AVISO: Para evitar que se caiga la bomba dentro del pozo y para evitar daños a los alambres o uniones **JAMÁS** deje que los alambres eléctricos soporten el peso de la bomba.

INSTALACIÓN DE LA BOMBA

1. Si se está usando un tanque estándar de presión de aire sobre agua, instale dos orificios de purga a unos 2' (0,6 metros) de distancia entre ellos según se ilustra en la figura 12. Estos orificios cargarán el tanque automáticamente con aire. Consulte la figura 12 para determinar la ubicación del orificio.
AVISO: Si se emplea un tanque precargado, **NO INSTALE** los orificios de purga. Si se utilizan una bomba y un tanque precargado para reemplazar un sistema estándar de tanque retire los orificios de purga antes de instalar la bomba en el pozo.
2. Para impedir la pérdida de la bomba por caída al fondo del pozo, utilice cable o línea de seguridad lo suficientemente fuerte para sostener la bomba y la tubería descendente (diámetro mínimo de 5/16" o sea 8 mm) hecha de polipropileno torcido (o pronila) que se sujetará fija a la argolla de la descarga de la bomba. Ate el otro extremo de la soga de seguridad al sello, tapa o adaptador del pozo.
3. La salida de descarga es de 1 1/4" rosca NPT.
Use cañería de plástico (polietileno) para una presión nominal de 100 lib/pulg² (689,5 kPa) para las instalaciones de hasta 100 pies de profundidad (30,5 m).
Use tubería de plástico (PVC) para una presión nominal de 160 lib/pulg² (1103,2 kPa) para las instalaciones de hasta 220 pies de profundidad (67,1 m).
Para profundidades superiores a los 220 pies (67,1 m) use cañería de acero galvanizado para el total de la tubería descendente.

PUESTA EN MARCHA INICIAL - NUEVOS POZOS

AVISO: **JAMÁS** haga funcionar la bomba con la válvula de descarga totalmente cerrada. La bomba puede destruirse si se le hace marchar con la descarga cerrada ("en vacío bajo carga") y la garantía queda inválida.

AVISO: Para evitar que la bomba se trabe con arena siga el procedimiento indicado más adelante cuando haga funcionar la bomba por primera vez. **JAMÁS** ponga en marcha una bomba con la descarga totalmente abierta a menos que haya previamente realizado este procedimiento.

1. Conecte un codo de tubería, un pequeño tramo de tubo y una válvula de cortina (válvula exclusiva) a la descarga de la bomba en la boca de pozo (véase fig. 10).
2. Monte la caja de control del motor (bomba de 3 alambres) o el interruptor de desconexión con fusibles (bomba de 2 alambres) sobre un lugar permanente, al abrigo de la intemperie. Asegúrese de que los controles no sufrirán un calor extremo o un exceso de humedad.
3. Asegúrese de que los controles estén en la posición de desconectado (OFF).
4. Conecte los conductores del motor y la fuente de alimentación eléctrica a la caja de control del motor o al arrancador magnético (véanse los diagramas de instalación del alambrado). **NO PONGA AÚN LA BOMBA EN MARCHA.**
5. Ajuste la válvula de compuerta (válvula exclusiva) hasta 1/3 de su caudal; ponga en marcha la bomba (véase la fig. 10).
6. Mantenga la válvula de compuerta con este ajuste mientras la bomba descarga sobre el terreno. Déjela en funcionamiento hasta que el agua salga clara, sin arena o limo. (Para verificar la presencia de sólidos en el agua llene un vaso con el agua de la bomba y deje que los sólidos se asienten).
7. Cuando el agua, con un ajuste a 1/3 del caudal total, salga completamente clara abra la válvula de compuerta hasta aproximadamente 2 tercios de su capacidad total y repita el proceso.
8. Cuando el agua, con una abertura a 2/3 de caudal, salga totalmente clara, abra completamente la válvula y siga bombeando hasta que el agua vuelva a salir totalmente clara.
9. Retire la válvula de cortina para su instalación permanente cerca del tanque (véanse las figs. 11 y 12).
10. Instale un sello sanitario para pozo o una unidad adaptadora, la unidad del pozo, los conductos para cables eléctricos y las tuberías de superficie. La instalación debe respetar todas las exigencias de los códigos que sean procedentes.

CONEXIÓN AL TANQUE - SISTEMA DE AGUA

ADVERTENCIA Presión peligrosa. En determinadas circunstancias las bombas sumergibles pueden desarrollar presiones muy elevadas. Instale una válvula de desahogo de presión capaz de pasar todo el flujo de la bomba a 75 lib/pulg² (517 kPa) cuando se use

un tanque de presión de aire sobre agua. Instale una válvula de desahogo de presión capaz de pasar todo el flujo de la bomba a 100 lib/pulg² (690 kPa) cuando use un tanque de presión pre-cargado. Instale esta válvula de alivio entre la bomba y el tanque.

ADVERTENCIA La masilla u otros compuestos de sellado de juntas en tuberías pueden causar rajaduras en el plástico. Use solamente cinta de teflón en las uniones de tuberías de plástico.

AVISO: El permitir que la bomba o el sistema de la tubería se congelen puede dañar gravemente la bomba y anula la garantía. Proteja la bomba y todo el sistema de tuberías (incluido el tanque de presión) contra el congelamiento.

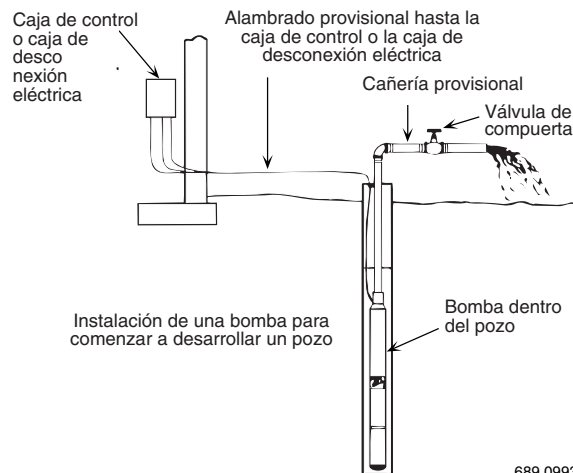
CONEXIÓN DE TANQUES DE PRESIÓN PRECARGADA

Véanse en la figura 11 las conexiones de tubería para el caso de usar tanques con presión precargada.

AVISO: Verifique la precarga de aire en el tanque antes de poner en funcionamiento la bomba. Ajuste la precarga a 2 lib/pulg² (13,8 kPa) por debajo de la presión de conexión automática de la bomba (es decir, un tanque con presión precargada que se utilice con un interruptor manométrico de 30 a 50 lib/pulg² deberá precargarse con aire hasta una presión de 28 lib/pulg² (193,1 kPa). Ajuste el valor de la presión de precarga añadiendo o descargando aire a través de la válvula neumática ubicada en la parte superior del tanque. Verifique anualmente la presión de precarga y ajústela según sea necesario.

CONEXIÓN DE UN TANQUE ESTÁNDAR

Véase en la fig. 12 las conexiones para tuberías usadas con tanque estándar de presión y la distancia correcta a los orificios de purga del tanque de presión.



689 0993

Figura 10 – Conexiones temporales para la limpieza del pozo durante la puesta en marcha inicial.

Información Importante sobre la Puesta a Tierra

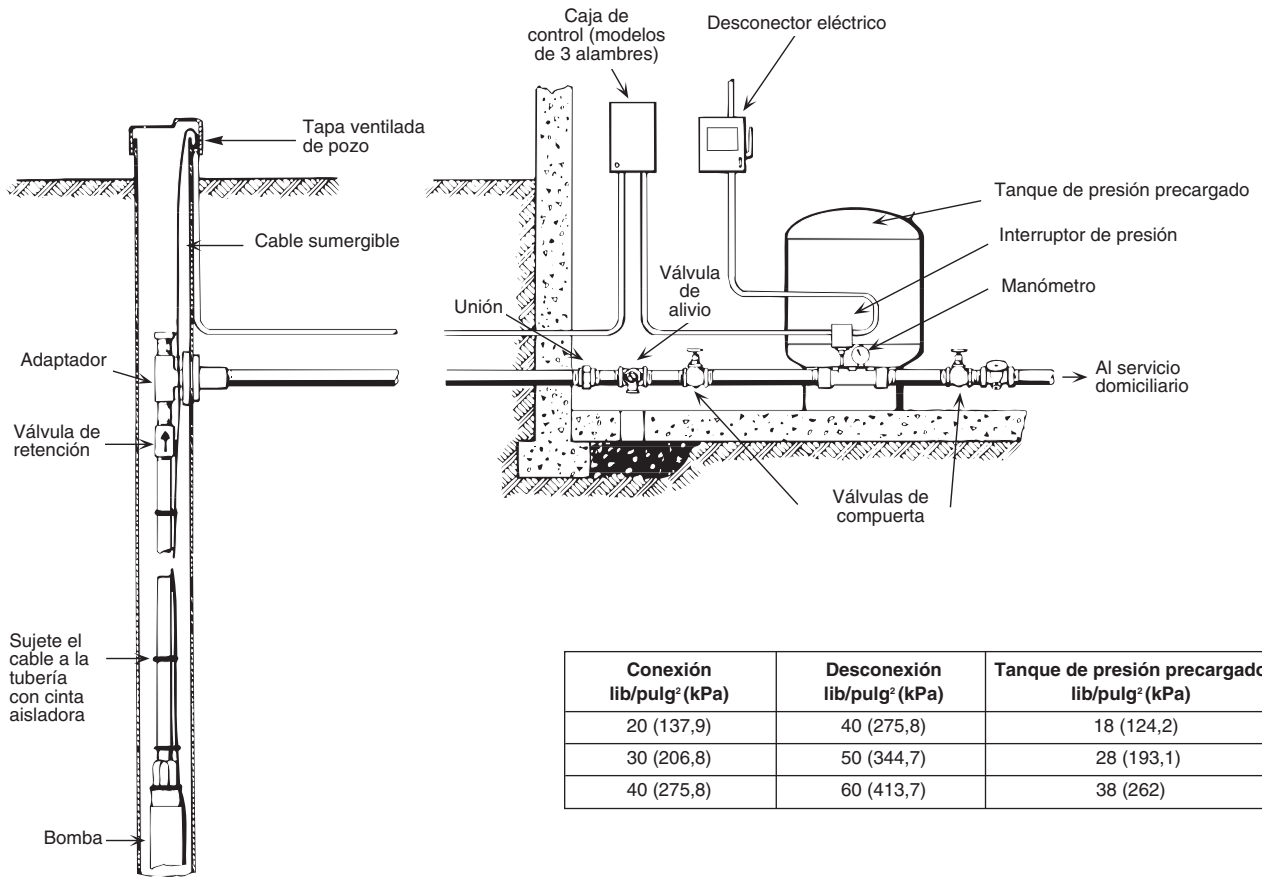
ADVERTENCIA

Voltaje peligroso. Riesgo de sufrir choque eléctrico, quemaduras o la muerte. Para reducir los riesgos de choques eléctricos durante el funcionamiento de la bomba, ponga a tierra e interconecte eléctricamente la bomba y el motor de la siguiente manera:

- A. Para reducir los riesgos de choques eléctricos de las las otras piezas metálicas que no forman parte de la bomba, interconecte eléctricamente todas las piezas metálicas accesibles a la tapa del pozo (incluyendo la tubería de metal de descarga, el entubado metálico del pozo y piezas similares). Use un conductor de conexión cuyo diámetro sea por lo menos tan grande como los conductores del cable de alimentación que desciende por el pozo hacia el motor de la bomba.
- B. Sujete con una abrazadera o suelde (o ambas cosas si es necesario) este conductor de conexión al medio de puesta a tierra provisto para la bomba, que será el borne de puesta a tierra del equipo o un conductor de puesta a tierra del equipo. El conductor de puesta a tierra, cuando se provee, es el conductor que tiene el aislamiento verde; puede también tener una o más franjas amarillas.
- C. Ponga a tierra la bomba, el motor y todos los conductos metálicos que lleven los conductores del cable de alimentación. Ponga éstos a tierra de vuelta al servicio conectando un conductor de cobre que irá de la bomba, del motor y del conducto al tornillo de puesta a tierra provisto dentro del compartimiento del cableado de la caja de conexiones de alimentación. El diámetro de este conductor debe ser por lo menos tan grande como los conductores del circuito de alimentación de la bomba.

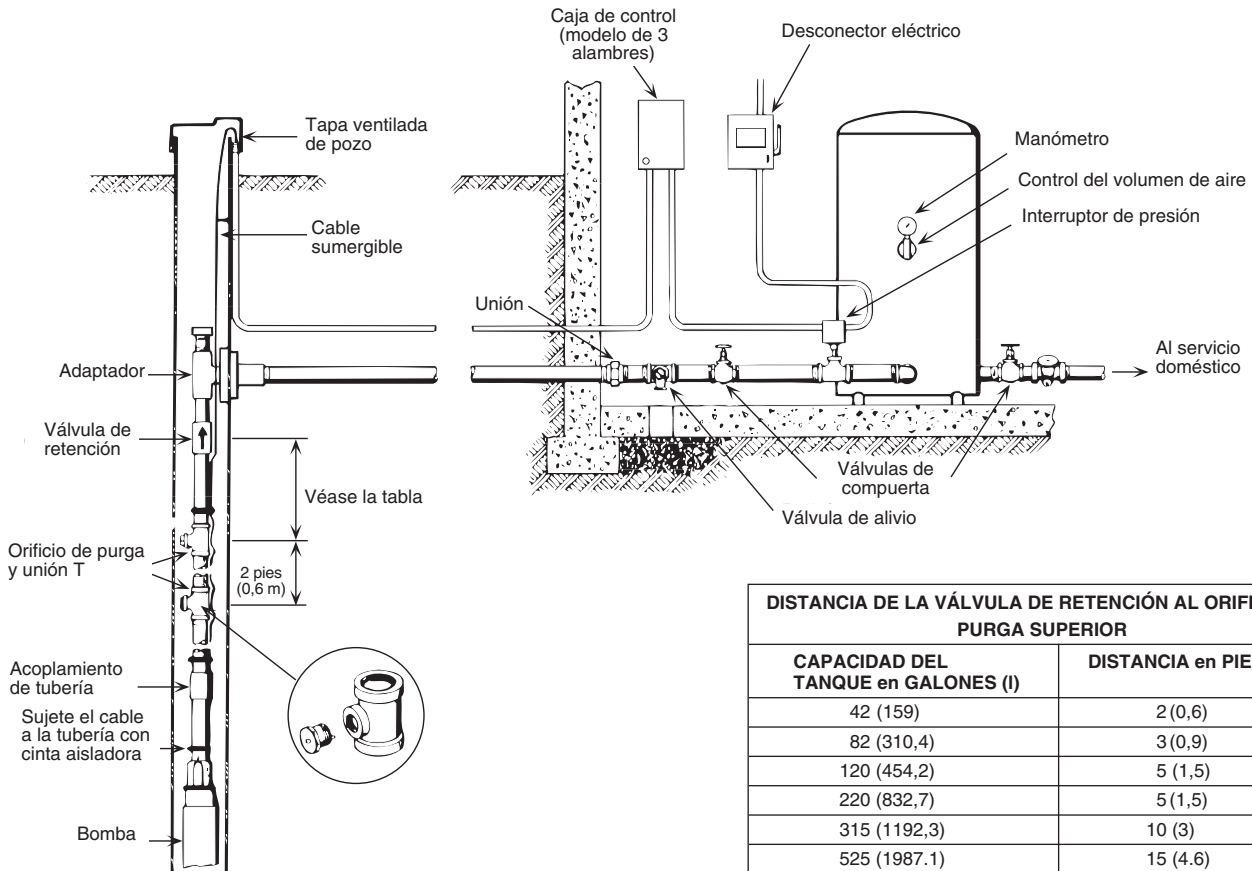
Conserve estas instrucciones.

Figura 11 – Instalación típica para un tanque de presión precargado



Conexión lib/pulg ² (kPa)	Desconexión lib/pulg ² (kPa)	Tanque de presión precargado lib/pulg ² (kPa)
20 (137,9)	40 (275,8)	18 (124,2)
30 (206,8)	50 (344,7)	28 (193,1)
40 (275,8)	60 (413,7)	38 (262)

Figura 12 – Instalación típica con tanque estándar



DISTANCIA DE LA VÁLVULA DE RETENCIÓN AL ORIFICIO DE PURGA SUPERIOR	
CAPACIDAD DEL TANQUE en GALONES (l)	DISTANCIA en PIES (m)
42 (159)	2 (0,6)
82 (310,4)	3 (0,9)
120 (454,2)	5 (1,5)
220 (832,7)	5 (1,5)
315 (1192,3)	10 (3)
525 (1987.1)	15 (4.6)

GUÍA PARA LA RESOLUCIÓN DE PROBLEMAS

PROBLEMA	VERIFIQUE	MEDIDA CORRECTIVA
<p>El motor no arranca pero el fusible no se quema.</p> <p>No hay corriente (tensión).</p>	<p>No llega corriente a la caja de control o el interruptor de desconexión.</p> <p>No hay tensión en el interruptor de presión.</p> <p>No hay tensión en la caja de control.</p> <p>El cable eléctrico o el empalme están en mal estado.</p> <p>La caja de control no está conectada correctamente.</p>	<p>Reemplace los fusibles quemados.</p> <p>Reemplace el interruptor de presión en mal estado.</p> <p>Vuelva a conectar la electricidad a la caja de control.</p> <p>Consulte a un electricista o a personal de servicio con licencia.</p> <p>Reconecte correctamente la caja de control (véanse los diagramas de instalación del alambrado).</p>
<p>Los fusibles se queman o el protector de sobrecarga funciona al poner en marcha el motor.</p> <p>Fusible de capacidad inadecuada o fusible con demora temporal de capacidad inadecuada.</p> <p>Diámetro del alambre demasiado pequeño.</p> <p>Capacitor de arranque defectuoso, quemado o de capacidad incorrecta.</p> <p>Voltaje demasiado bajo o demasiado alto. se ha quemado.</p> <p>Los conductores del alambre de alimentación eléctrica no están correctamente conectados a la caja de control.</p> <p>Alambre cortado en la caja de control.</p> <p>La bomba o el motor están atrancados o agarrotados.</p> <p>Los empalmes con la línea eléctrica o los conductores del motor están puestos a tierra, en corto circuito o abiertos.</p>	<p>Verifique la capacidad del fusible en el cuadro de la página 16.</p> <p>Verifique el diámetro del alambre en el cuadro de la pág. 17.</p> <p>Verifique en la caja de control si el capacitor de arranque alto se ha quemado. Verifique la capacidad del capacitor. Verifique el relé de arranque.</p> <p>Verifique que la tensión de línea se encuentre dentro de +/- 10% de la tensión nominal de chapa con el motor en marcha.</p> <p>Verifique el diagrama de alambrado de la caja de control para asegurar que coincida con las conexiones de alimentación eléctrica. Verifique los códigos de color del alambre de alimentación eléctrica.</p> <p>Examine todas las conexiones y los alambres de la caja de control.</p> <p>Verifique que el árbol de la bomba no esté inmovilizado.</p> <p>Consulte a un electricista autorizado o a personal de servicio calificado.</p>	<p>Instale el fusible o el fusible con retardo correcto.</p> <p>Instale alambre del diámetro correcto.</p> <p>Reemplace el capacitor de arranque. Reemplace el relé de arranque si está defectuoso.</p> <p>Si las variaciones del voltaje son superiores a +/- 10% llame a la empresa de electricidad o autoridad hidroeléctrica local para que ajusten el voltaje.</p> <p>Reconecte los alambres para que coincidan con el diagrama de alambrado que se encuentra en la tapa de la caja de control. Reconecte los alambres de alimentación eléctrica para que los colores coincidan con los colores de los conductores eléctricos del motor.</p> <p>Desconecte la energía eléctrica y repare o reemplace los alambres defectuosos.</p> <p>Si necesario saque la bomba (haga primero todas las verificaciones que sean posibles en la superficie). Si la bomba está agarrotada, reemplácela. Limpie el pozo y saque toda la arena o barro antes de volver a instalar la bomba).</p> <p>No trate de desarmar la bomba o el motor.</p>
<p>Los fusibles se queman o el protector de sobrecarga funciona cuando el motor está en marcha.</p> <p>Voltaje elevado o reducido.</p> <p>La temperatura ambiente (atmosférica) es demasiado elevada.</p> <p>El voltaje o la capacidad de la caja de control son incorrectos.</p> <p>El diámetro de los conductores es demasiado pequeño.</p>	<p>Verifique que el voltaje de línea permanezca dentro de +/- 10% del voltaje nominal de placa con el motor en marcha.</p> <p>Verifique la temperatura en la caja de control.</p> <p>Compare el voltaje y la potencia de la chapa del motor con los que figuran en la chapa de la caja de control o en el diagrama del circuito ubicado en el interior sobre la tapa de la caja de control.</p> <p>Verifique el diámetro de los conductores en el cuadro de la página 17.</p>	<p>Si la variación de voltaje es superior a +/- 10% llame a la compañía de electricidad para que ajuste el voltaje.</p> <p>No monte la caja de control bajo la acción directa de los rayos solares.</p> <p>Reemplace la caja de control si los números no coinciden. Use solamente la caja de control diseñada para usar con la bomba.</p> <p>Instale alambrado de diámetro correcto.</p>
<p>La bomba arranca con demasiada frecuencia.</p> <p>Hay pérdidas en el sistema.</p> <p>Interruptor de presión.</p> <p>Verifique que las válvulas no tengan pérdidas.</p> <p>El tanque está lleno de agua.</p> <p>La tubería de bajada a la bomba tiene pérdidas.</p> <p>El interruptor de presión está demasiado alejado del tanque.</p>	<p>Verifique todas las conexiones del tanque con solución jabonosa para verificar que no hayan pérdidas de aire. Verifique que no haya pérdidas en las tuberías de agua.</p> <p>Verifique que el interruptor de presión no tenga fallas o esté fuera de ajuste.</p> <p>Asegúrese de que las válvulas no tengan pérdidas de retroceso.</p> <p>Tanques de aire sobre agua: verifique la presión de aire precargado. Verifique que la bolsa de aire no tenga pérdidas</p> <p>Tanques estándar: verifique que no haya pérdidas de aire. Verifique el control de volumen de aire.</p> <p>Extraiga la tubería de bajada a razón de un tramo por vez hasta que el agua permanezca en la tubería.</p> <p>Mida la distancia del interruptor de presión hasta el tanque.</p>	<p>El sistema debe estar herméticamente sellado contra pérdidas de aire y agua.</p> <p>Reajuste o reemplace el interruptor de presión.</p> <p>Reemplace las válvulas de retención si es necesario.</p> <p>Tanques de aire sobre agua: ajuste la presión de aire a 2 lib/pulg² (13,8 kPa) por debajo de la presión de arranque de la bomba (cuando no hay presión de agua en el sistema). Reemplace la bolsa de aire si fuera necesario.</p> <p>Tanques estándar: repare o reemplace los tanques, reemplace el de volumen de aire si fuera necesario control de volumen de aire. Si fuera necesario.</p> <p>Reemplace la tubería por encima de ese punto.</p> <p>Traslade el interruptor hasta ubicarlo a no más de 1 pie (0,3 m) del tanque.</p>
<p>La bomba entrega poca agua o ninguna.</p> <p>Verifique que no haya una válvula atrancada o instalada al revés (solamente en tanques estándar)</p> <p>Reducido nivel de agua.</p> <p>Tensión baja.</p> <p>El filtro de entrada está tapado.</p> <p>La válvula de retención en la bomba ha quedado trabada.</p> <p>Los impulsores y difusores de la bomba están gastados.</p>	<p>Examine la válvula.</p> <p>Determine el nivel mínimo de agua en el pozo con la bomba en marcha y compárelo con la profundidad a que está instalada la bomba.</p> <p>Verifique el voltaje en la caja de control con la bomba en marcha. Verifique el diámetro del alambre de entrada y el alambre de alimentación comparándolos con los de la tabla de la página 17.</p> <p>Saque la bomba y verifique el estado del filtro.</p> <p>Saque la bomba y examine la válvula de retención.</p> <p>Asegúrese de que el sistema esté libre de obstrucciones y que la bomba bombee totalmente sumergida y funcione normalmente.</p>	<p>Si la válvula está pegada suéltela, si está instalada al revés, inviértala.</p> <p>Baje la bomba más dentro del pozo (pero manténgala por lo menos a 5 pies (1,5 m) por encima del fondo del pozo). Cierre la descarga de la bomba hasta que el caudal de descarga sea igual al caudal de recuperación del pozo. AVISO: Si se hace marchar la bomba en vacío se puede perder el agua de cebado y causar graves daños a la bomba.</p> <p>Instale un alambre conductor de mayor diámetro desde el medidor de entrada a la caja de control. Instale un alambre conductor de mayor diámetro desde la caja de control a la bomba. Si fuera necesario haga que la empresa de electricidad aumente la tensión suministrada.</p> <p>Limpie o reemplace según sea necesario.</p> <p>Destrabe la válvula de retención.</p> <p>Reemplace la bomba.</p>
<p>El agua que sale de las llaves contiene aire o tiene aspecto lechoso.</p> <p>El agua de pozo contiene gas.</p> <p>El control de volumen de aire no funciona (sólo para el caso de tanques estándar).</p>	<p>Verifique la presencia de gas en el agua del pozo.</p> <p>Asegúrese de que las válvulas de entrada y las válvulas de retención de bola no estén obstruidas.</p>	<p>Retire los orificios de purga; tape las uniones T. Asegúrese de que las uniones T tapadas no tengan pérdidas. Si es necesario separe el gas del aire antes de que entre al tanque de presión.</p> <p>Reemplace el control si fuera necesario.</p>

GUARDE EL RECIBO ORIGINAL PARA CUALQUIER REFERENCIA POSTERIOR.

GARANTÍA LIMITADA

WATER ACE le garantiza al comprador consumidor original (el "Comprador" o "Usted") de sus productos, que éstos estarán libres de defectos en materiales y en mano de obra por un período de doce (12) meses, a partir de la fecha de la compra original del consumidor.

Si dentro de los doce (12) meses a partir de la fecha de la compra inicial del consumidor, se comprueba que cualquiera de esos productos es defectuoso, éste será reparado o reemplazado, a la discreción de WATER ACE, sujeto a los términos y a las condiciones indicadas a continuación. Se necesitará su recibo de compra original y la etiqueta de información sobre la garantía del producto, para determinar la admisibilidad de la garantía. La admisibilidad se basa en la fecha de compra del producto original - no en la fecha de reemplazo bajo la garantía. La garantía está limitada a la reparación o el reemplazo del producto solamente - El comprador pagará todos los costos de remoción, instalación, mano de obra y envío necesarios, así como todo costo adicional asociado.

Si necesita piezas o resolución de problemas, NO regrese el producto a la tienda minorista. Llame el Servicio a la Clientela de WATER ACE al 1-800-942-3343.

Las reclamaciones bajo esta garantía se deberán realizar mediante la devolución del producto (excepto en el caso de las bombas cloacales, ver a continuación) a la tienda minorista en donde se haya adquirido, inmediatamente después de haber descubierto un supuesto defecto. WATER ACE entonces tomará la medida correctiva tan pronto como sea razonablemente posible. No se aceptarán solicitudes de servicio, si se reciben más de 30 días después del vencimiento de esta garantía.

BOMBAS CLOCALES

NO devuelva una bomba cloacal (que se haya instalado) a su tienda minorista. Comuníquese con el Departamento de Atención al Cliente de WATER ACE. Las bombas cloacales que hayan estado en servicio y se hayan removido pueden representar un peligro de contaminación.

Si su bomba cloacal ha fallado:

- Use guantes de caucho cuando manipule la bomba;
- Para los fines de la garantía, devuelva la etiqueta del cordón de la bomba y el recibo de compra original a la tienda minorista;
- Descarte la bomba cumpliendo con todas las normas locales que correspondan para su eliminación.

Excepciones para la Garantía Limitada de Doce (12) Meses

Producto	Período de garantía
R106, R107 - No sumergible para todo uso	90 días
RES - Sumergible para todo uso	2 años
R33SP - Bomba sumergible de sumidero	3 años
R50SP - Bomba sumergible de sumidero	3 años
R3S - Bomba sumergible de sumidero	3 años
R7PBS - Bomba de refuerzo de presión	3 años
R5V - Bomba sumergible de sumidero, Tanque precargado del sistema de agua	5 años
R50VLT, R75VLT - Bombas de sumidero/efluente	De por vida
R5PILT - Bomba de pedestal para sumidero	De por vida
R7W - Bomba cloacal sumergible	De por vida

Términos y condiciones generales

Usted deberá pagar por todos los gastos de mano de obra y de envío necesarios para reemplazar el producto cubierto por esta garantía. Esta garantía no se aplicará en las siguientes situaciones: (1) caso de fuerza mayor (2) productos que, a sólo juicio de WATER ACE hayan sido sometidos a negligencia, abuso, accidente, mala aplicación, manejo indebido o alteraciones; (3) fallas debido a instalación, operación, mantenimiento o almacenamiento inadecuados; (4) aplicaciones, usos o servicios que no sean normales o aprobados; (5) fallas provocadas por corrosión, herrumbre u otros materiales extraños en el sistema, o una operación a presiones que excedan los máximos recomendados.

Esta garantía establece la única obligación de WATER ACE y el recurso exclusivo del Comprador con respecto a los productos defectuosos.

WATER ACE NO SE HARÁ RESPONSABLE DE NINGÚN DAÑO CONSECUENTE, INCIDENTAL O CONTINGENTE.

LAS GARANTÍAS QUE ANTECEDEN SON EXCLUSIVAS Y REEMPLAZAN TODA OTRA GARANTÍA EXPLÍCITA O IMPLÍCITA, INCLUYENDO PERO SIN LIMITARSE A LAS GARANTÍAS IMPLÍCITAS DE COMERCIABILIDAD E IDONEIDAD PARA UN FIN ESPECÍFICO. LAS GARANTÍAS QUE ANTECEDEN NO SE EXTENDERÁN MÁS ALLÁ DE LA DURACIÓN PROVISTA EN LA PRESENTE.

Algunos Estados no permiten la exclusión o limitación de daños incidentales o consecuentes o de limitaciones de tiempo sobre garantías implícitas, de modo que es posible que las limitaciones o exclusiones que preceden no correspondan en su caso. Esta garantía le otorga derechos legales específicos y es posible que Usted también tenga otros derechos que pueden variar de un Estado al otro.

WATER ACE PUMP CO. • 293 Wright St. • Delavan, WI U.S.A. 53115

Teléfono: 1-800-942-3343 (sólo en los EE.UU.)

Sitio Web : <http://www.waterace.com>

